

UNIT[®]

USP-1200S

ELECTRIC PRESSURE SMOKER

СКОРОВАРКА-КОПТИЛЬНЯ

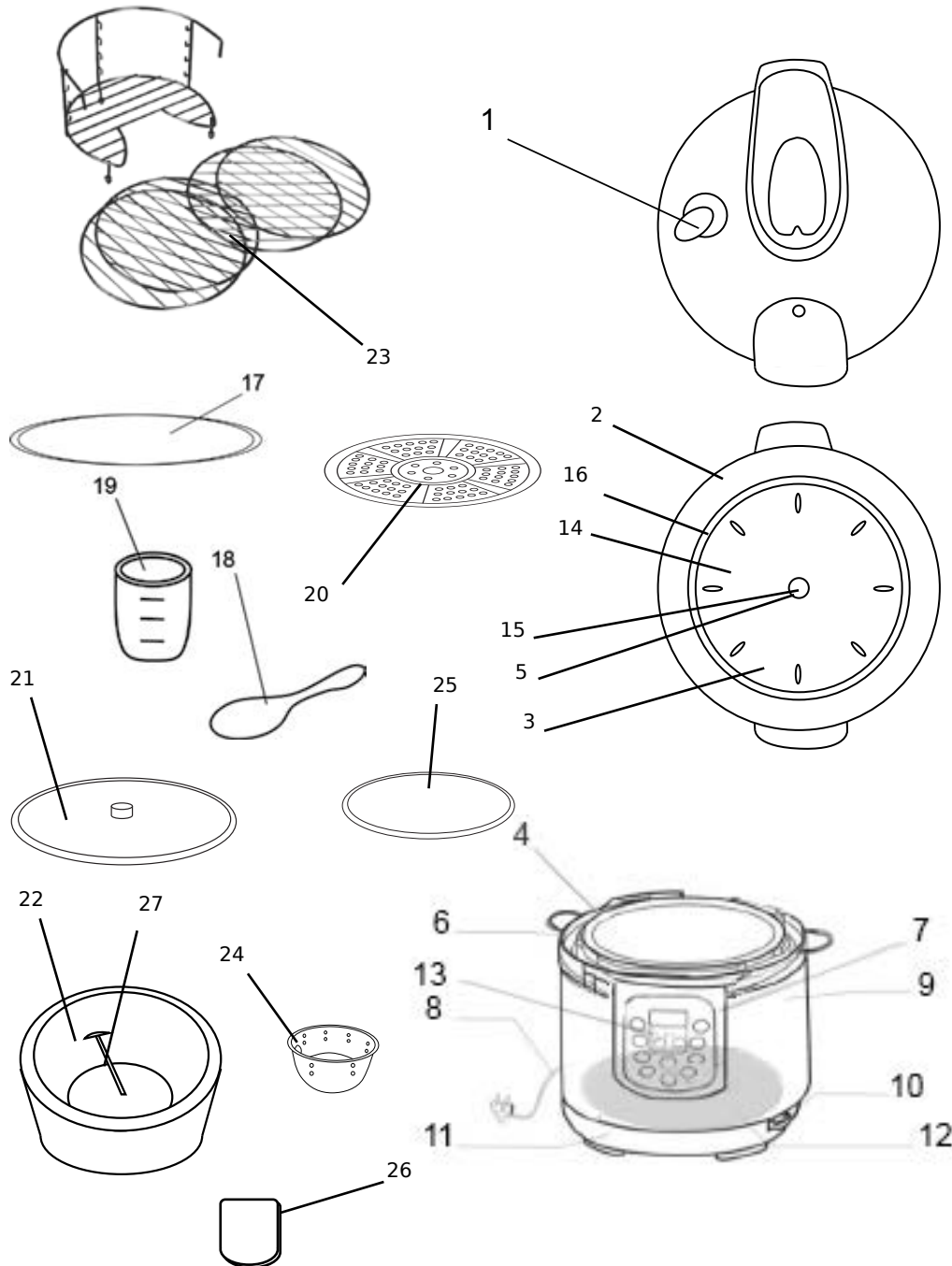
ЭЛЕКТРЛІК ЖЫЛДАМ ҚАЙНАТАТЫН-ЫСТАЙТЫН АСПАБЫ



INSTRUCTION MANUAL
РУКОВОДСТВО ПО ЭКСПЛУАТАЦИИ
ҚҰЙМАҚШАЛАРДЫ ДАЙЫНДАУ ӘДІСТЕРІ БОЙЫНША НҰСҚАМА

**ELECTRIC PRESSURE SMOKER
USP-1200S**

**Thank You for buying this UNIT product!
READ ALL THE INSTRUCTIONS BEFORE USING**



CONTENTS OF THE INSTRUCTION MANUAL

SAFETY NOTICES.....3
 FEATURES.....4
 APPLIANCE DESCRIPTION.....4
 BEFORE USE.....6
 FIXING AND TAKING OFF THE LID.....6
 PRESSURE COOKER USE.....7
 PRESSURE SMOKER USE.....8
 STEAMERFUNCTION.....10
 CLEANING.....10
 TROUBLESHOOTING.....10
 SPECIFICATIONS.....11

SAFETY NOTICES

- When using electrical appliances, basic safety precautions should always be followed to reduce the risk of fire, electric shock, and/or injury to persons, including the following:
- Never use the utensils along with inflammable products or in a humid location.
- The amount of water and food added to the Bowl for smoking should be determined in line with step 2 of Appliance Use.
- Never damage the Sealing Gasket or replace it with other rubber gaskets or tension gasket.
- Never twist the Inner Steel Ring with hand or other tools by force. If the Steel Ring slips off the place, stop using it and replace the Lid.
- Never put any weight on the Relief Valve or replace it with other substitutes.
- The bottom of Bowl for smoking and Heating Plate surface should be kept clean. Never heat the Bowl for smoking on other thermal sources or have it replaced with others pots.
- The Bowl for smoking is covered with ceramic anti-sticking ceramic coating. To avoid scratch, wooden or plastic ladles are recommended.
- The maximum period for heat preservation is 24 hours. However, the duration less than 6 hours is recommended to ensure delicious taste.
- If there is large amount of steam escaping form the edge of the Lid during cooking, remove the plug immediately and send the utensil to authorized service station for maintenance.
- During moving the appliance it is recommended to hold the Ears instead of the Handle for safety.
- Never disassemble the utensil by yourself or replace with accessories other than assembled.
- During cooking, in case of alarm sound is heard and one of the following malfunction codes is displayed, stop using the appliance immediately and send it to an authorized service station for maintenance.
- Do not use in the "HOT" or "COLD" smoke modes when cooking food without the food basket and directly on the bottom of cooking pot insert. To do so will cause the charring element to possibly char the meat where it touched the element giving it an unpleasant taste.
- Never use a pressure cooker-smoker, if the inner pot or bowl for smoking no products and / or liquid, except for the "Cold smoking".
- Do not use this cooker to pressure fry with hot oil.
- SAVE THESE INSTRUCTIONS

FEATURES

Electric pressure smoker is a new-generation cooker developed with the latest technology. It combines advantages of conventional pressure cooker, electric cooker and braising cooker and steamer. Featured by programmable temperature and pressure control, this appliance is proud of a new and distinctive structure and appearance.

It is an ideal choice for preparing fast, healthy, delicious meal every day and a perfect basis for ordinary cooking methods.

It has the following features:

Multifunction and easy operation

- This model of pressure smoker combines functions of a rice cooker, a steamer and a pressure cooking pan. With the help of this appliance you can cook rice, porridge, soup, you can stew, steam, braise. You don't have to adjust time or pressure rate just touch the button of a certain product. And the appliance will work automatically. After cooking finishes you'll hear a sound and the cooker will start keeping warm automatically.
- **24-hours postponed start:** in case you don't want to start cooking at once but after some time, you can use the function of postponed start, when the setting time is up, it will start cooking automatically. You can delay the start in any program except programs "Поджаривание", "Мульти-Режим", "Мульти-режим".
- **Keep warm function** automatically turned on for any program except programs "Холодное копчение" and "Поджаривание"
- **Memory function:** in case of sudden power cut during cooking, it will resume the former process automatically when power is on again.

Fast Cooking: time and energy saving

- Fast cooking with high pressure (high temperature) that is determined by different types of food, an optimal way of cooking is chosen for every food type, it saves more time and energy, reduces cooking time by 15% and energy by 20 % compared with conventional cooking.
- It reduces cooking time by as much as 40% and energy as much 45% compared with conventional electric when braising.

Preserves nutrition, makes food more delicious and healthy

- When oxygen is mixed with food during heating it destroys vitamins. "герметично" cooking with this pressure smoker conserves nutrition and ensures more delicious food as no oxygen is let in during cooking.
- Cooking at high temperatures (110-115°C) is more healthy.
- No escaping steam and overflowed food, keeps your kitchen clean.

Optimized structure: safe operation

- **Safety set for opening or closing the Lid.** When the Lid fails to fit the Inner Pot well, the Inner Pot can not get to high pressure. If there is pressure inside, the Lid can not be opened.
- **Safety pressure regulator.** If pressure (temperature) control is out of work and the pressure inside is over the maximum working pressure, the Relief Valve will switch to "выпуск пара" automatically for safety.
- **Safety pressure release set.** If pressure regulator is out of work and the pressure inside is over the maximum working pressure the pressure release set will release pressure from the edge of the Lid to avoid burst.
- **Safety over-temperature set.** In case of over-temperature, the power will be automatically cut.
- **Magnetic protective device** – if the lid is not covered well the appliance will not work and will make the warning sound (except the function "Приготовление без крышки").
- **Connective lid** – the construction of the lid allows to have the lid clipped to the body of the appliance when it's open.

APPLIANCE DESCRIPTION

1. Relief valve
2. Plastic lid
3. Steel lid
4. Weighted knob
5. Inner pot with ceramic anti-stick coating
6. Plastic rim
7. Control panel
8. Power cord

9. Inner corps
10. Ladle holder
11. Plastic base
12. Heating plate
13. Sensor
14. Removable disk
15. Antiblocked valve
16. Sealing elastic gasket
17. Spare sealing elastic gasket
18. Ladle
19. Measuring cup
20. Steamer
21. Cover for inner pot
22. Bowl for smoking
23. Food basket rack
23. Charring cup
24. Charring cup lid
25. Condensation collector
27. Heating element

Control Panel Buttons

You can change the cooking time for 5 seconds after selecting the program for all modes.

Button name	What for	Programmed time, minutes	Comments
Отмена/ Поддержание тепла	Canceling the settings/Keeping warm	-	Press once – cancels the settings; press twice – starts keeping warm
Рис	Cooking rice	12	
Овсянка	Cooking porridge	5	The program can be used for cooking oatmeal. Cooking buckwheat takes 10 minutes.
Мясо	Cooking meat	20	Cooking a chicken meat takes 15 minute. Cooking pilaf takes 30 minutes in this mode.
Рыба	Cooking fish	10	
Холодец	Cooking jellied meat	58	
Разогрев	Heating up	8	
Бобовые	Cooking all kinds of beans	40	
Установка времени	Time setting/Postponed start timer setting	Cooking time setting: the gap is 1 min; Postponed start timer setting – the gap is 1 hour	If you press it before any other button – you will set the postponed start timer; if you press it after choosing any cooking program – you will set the time of cooking
Мульти-Режим	Cooking different dishes	18	Cook any dishes in this mode.
Пароварка	Steam-cooking	15	Pour the water and put the steamer inside

Поджари-вание	Browning	20		Dish can be cooked in any other mode after browning. The lid should be opened. The cooking time should not exceed 20 minutes
---------------	----------	----	--	--

Programs for smoking

Cold smoker	For imparting flavor for ready-made products such as fish, meat, cheese.	20	1-120	The pressure regulator should be set at the position "герметично" Do not add water in the mode "Cold smoker"
Hot smoker	For cooking of smoked meat, fish, vegetables.	25	1-120	The pressure regulator should be set at the position "герметично". Add 200-300 ml of water in the mode "Hot smoker".
Combination of cold and hot smoker	For imparting strong flavor.	20 25	1-120	The pressure regulator should be set at the position "герметично". Add 200-300 ml of water in the mode "Hot smoker".

You can change the cooking time for 5 seconds after selecting the program. You can change the cooking time for 5 seconds after a choice of any program.

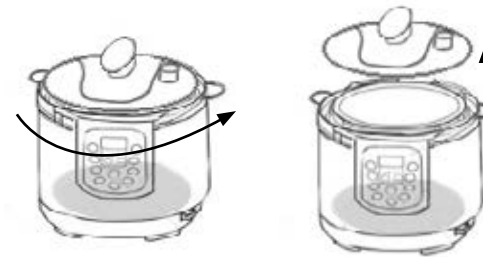
BEFORE USE

- Check to make sure everything ordered is included.
- Save the box and packaging material in case needed.
- Remove the lid and inner cooking pot from the main appliance housing.
- Wash the inside of the inner cooking pot with hot soapy water using a clean dishcloth.
- Rinse and dry. Do not place in dishwasher, or immerse in water.
- On the outside of the cooking pot insert you will see an electrical connection to the charring element, keep this dry.
- Insert the inner cooking pot back into the outer appliance housing. When returning the inner cooking pot to the outer housing, be sure that the red arrow on top of the inner cooking pot is aligned with the red arrow on top of the outer appliance housing before inserting. Wash the charring cup and charring cup lid in hot soapy water. Rinse and dry. Remove the silicone rubber seal from the inside of the lid and wash in warm soapy water. Rinse and dry. Wipe the inside of the lid with a clean damp dishcloth. Return the silicone rubber seal to the inside of the lid. Wash the Food Basket Stack Rack in hot soapy water using a clean dishcloth. Rinse and dry.
- Wipe the outside of the appliance housing with a damp paper towel or clean damp dishcloth.
- Check to make sure the condensation collector is installed on the outer housing. This is located on the top left side behind the handle. If not, find the condensation collector and install by inserting into the top receptacle.

FIXING AND TAKING OFF THE LID

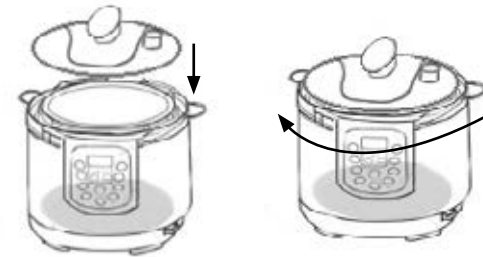
Taking off the lid:

- Put the appliance on a flat dry surface.
- Turn the Lid around her axis a counterclockwise direction and lift up.



Fixing of the lid:

- Put down the Lid and turn it axis a clockwise direction.
- It is important that the Lid has been turned completely during cooking, because there is blocked valve inside of the Lid which, in another case, will not allow to start the cooking process.



PRESSURE COOKER USE

- Open the Lid turning it counter-clockwise to the clamping position and then lift it.
- Take out the Inner Pot and fill in with the kitchen-stuff and water. Make sure the cooker must never be filled more than 4/5 full or less than 1/5 full.
- When cooking the kitchen-stuff that enlarge, do not fill in the pot more than 3/5 full.
- Note:** to cook the stuff evenly it's necessary to dip it into the water.
- Clean the Inner Coating and the Heating Plate with a slightly wet cloth before cooking; be sure there are no foreign particles left in the Inner Coating or on the surface of the Heating Plate.
- Take the Pot with kitchen-stuff and water inside carefully and put it into the appliance. Then turn the Inner Pot slightly to fit it well with the Heating Plate.
- Подпись:
- Close the Lid: for this put the Sealing Gasket on the Inner Steel Ring. Make sure they are fitting well (see the sketch on page 2)
- Then close the Lid turning it clockwise till a sound of clamping is heard.
- Fix the pressure Relief Valve in the position ("герметично") as the picture shows.
- Note: the Valve has two positions – "герметично" and "выпуск пара".
- Switch the power on - the display shows "00:00". Now you should preset cooking parameters on the panel.
- **Timer setting** (skip this step if you don't need to postpone the time of starting cooking).
- In case you want to postpone the time of cooking then before choosing any program press the Button "Таймер отложенного старта" as many times as needed. The figures show the time of the delay, for example, if you see "00:30" - it means that cooking will start in 30 minutes. The maximum time setting is 24 hours.
- **Choose the menu according to different recipes**
- Press one of the Menu Buttons in relation to the kitchen-stuff you're cooking (press "Рис" Button for rice cooking, for example) and the indicator of this button lights up.
- If necessary you can change the time of cooking with "Установка времени приготовления" button after choosing the appropriate program button.

- **Note:** you should remember that the programmed time is approximate and you can specify it according to your preferences.
- **Note:** in case the kitchen-stuff don't belong to any group in the menu you should choose a similar group.
- **The time of cooking (programmed)**
- This time is indicated after you chose the exact type of food button and means the time of cooking after the pressure inside achieves working state. It doesn't include the time until achieving working pressure.
- After time setting wait for some seconds and the process will start.
- Pressure holding process begins when pressure inside is high enough.
- When pressurizing is over, you'll hear 3 sound signals, they indicate the end of cooking and the start of keeping warm process.
- Press Button to cancel parameter setting or current working status.
- Take out the food in the following steps:
 - Turn the Relief Valve to "выпуск пара" position to release steam.
 - **Note:** When cooking fluid food, such as porridge, to avoid squirting up remember not to release the steam immediately after 3 sound signals. Let the pressure cooker cool down naturally or use the cooling system. Otherwise the fluid food may squirt and result in damage.
 - Remove the plug form the socket.

Turn the Handle counter clockwise; open it and take the food out.

When the food is ready and the function "keeping warm" is switched, the pressure inside is high, the protection devices don't let open the Lid immediately. In order to speed up cooling down you can use the cooling system to cool it and make the pressure down soon, especially when the food is fluid.

- Unplug the device.
- Turn regulator of reduce the pressure to the "vent of steam".
- The lid will be unlocked when internal temperature and pressure are reduced.

PRESSURE SMOKER USE

It should be on the unit and latched in place.

To use the unit:

1. Plug the cord into a grounded receptacle supplying 220-240 volts AC.
2. Position the removable pot in the Appliance Housing so that the arrow located on the right front of the Cooking Pot Insert aligns with the arrow on the Appliance Housing. Slide the pot into the well and press down on it so that the element pins will the internal power contacts.
If used to smoke food, slide the charring cup onto the end of the charring element. The charring cup has two holes, one front and one rear. Ensure the charring element bar passes through both of the holes. Place desired amount of wood chips into the charring cup. Pour a one tablespoon of wood chips into the charring cup. When placing wood chips in the charring cup, be sure the wood chips are resting against the charring element(bra)which runs through the charring cup. Place lid on cup. When cold smoking food, do not add water or any liquid infusion. Always add water or liquid infusion when; hot smoking, pressure cooking or steaming foods. Prepare foods according to the recipes.
3. Place the food into the basket. Or, in the bottom of the cooking pot insert when browning food.
4. Place the lid onto the appliance. Hold the lid handle with both hands so that valve stem is directly in front of your left hand. Align the edge of the handle with the condensation collector. Press down and turn counterclockwise until it stops. The lid must be locked in all cooking modes except Browning and Warming. Cook according to recipes.
5. At the end of the cooking cycle, the unit will beep.
6. Release the pressure before removing the top.
7. Release the pressure by removing the weighted knob. Be careful and keep face or other body parts away from the hot steam.
8. When all the pressure is released, the top will unlock and can be removed.
9. Remove the top by twisting clockwise and lifting. When you remove the top, tilt it away from your body to keep from being burned by steam trapped under the top.

10. Remove your food and eat it immediately or store it in the refrigerator or freezer for later consumption. Be sure and use sealing refrigerator or freezer storage bags. Otherwise, the cooked food will deteriorate and will flavor open items in the refrigerator with smoke. The cooked food will hold up to a week in refrigerator and up to 6 months in the freezer.

Hot Smoke Mode(Smokes and cooks or barbeques the product)

1. Place product to be smoked into the basket in cooking pot insert and add water.
2. Place the top on the cooker and latch.
3. Place the weighted knob on the valve stem.
4. Press the "Горячее копчение" button until its light is it.
5. Set the desired pressure time the "+" or "-" button in the time display window. You can set the time for 5 seconds after selecting the program.

Cold Smoke Mode(Smoking product only)

NOTE: The "Холодное копчение" mode will emit some smoke into the kitchen. If you object to this smell, you may want to use the unit under a hood vented to the outside when cooking in to "Холодное копчение" mode.

Place product to be cold smoked into the basket in cooking pot insert.

Place the top on the cooker latch.

Place the weighted knob on the valve stem.

Press the "Холодное копчение" button.

Set the desired pressure time with the "+" or "-" button in the time display window. You can set the time for 5 seconds after selecting the program.

Caution! Do not use the program "Cold smoker" for cooking crude products.

Mixing of hot and cold smoking

- Bowl for charring wood chips through the hole, place on the heating element until it clicks, sprinkle a little chip and close the lid, designed for this cup.
- Add water in a bowl for smoking (200-300 ml).
- Place the food on the food basket rack for smoking, then set it in a bowl for smoking
- Close the lid and install a pressure regulator.
- Select the first program of "Холодное копчение" and set the desired time. You can set the time for 5 seconds after selecting the program.
- Select "Горячее копчение" and set the time. You can set the time for 5 seconds after selecting the program.
- You need to wait for reducing the pressure to open the pressure cooker-smoker and remove products.

Note: You can combine only modes in the sequence - cold smoking, hot smoking, as described above, but not vice versa!

When the food is ready and the function "keeping warm" is switched, the pressure inside is high, the protection devices don't let open the Lid immediately. In order to speed up cooling down you can use the cooling system to cool it and make the pressure down soon, especially when the food is fluid.

- Unplug the device.
- Turn regulator of reduce the pressure to the "vent of steam".
- The lid will be unlocked when internal temperature and pressure are reduced.

Display code	E1	E2	E3	E4
The problem	Open circuit of the sensor	Short circuit of the sensor	Over-temperature	Disable signal switch

WARNING!

1. In the condition of steam release, keep your face away from the Relief Valve to avoid an accident.
2. Do not touch the hot Lid immediately after cooking to avoid scald.

- For safety never cover the Lid edge with towel.
- Never attempt to open the Lid by force if there is pressure inside. It is dangerous.
- After cooking before opening the Lid first cut the power.

KEEP THIS INSTRUCTION MANUAL!

BEFORE USE

- Remove the packing materials from the inside and outside of the appliance and from the accessories.
- Place the device on a flat dry surface.
- Wash all the parts, which may contact with the food including the Inner pot, the Measuring Cup, the Ladle and the Steamer in warm soap water, rinse and dry.
- Wipe inside and outside of the appliance, and the Lid with the wet sponge and than with a clean dry cloth.
- Before connecting the cooker to the supply, check the applicable voltage indicated on the appliance to see whether it corresponds to that of the main supply (220-240 V, 50-60 Hz).
- Don't dip the appliance into water or other liquid!

STEAMER FUNCTION

The appliance can be used as a Steamer. For this purpose use a special accessory that you have bought with the appliance – the Steamer.

- Add some water (1/6 scale) into the Inner Pot. Put the Steamer with kitchen-stuff into the Inner Pot and close the Lid.
- Turn the Relief Valve to “Герметично” position.
- Power on the appliance with the Power Cord.
- Choose the button “Пароварка”.
- Cooking time is up to your preferences – control the cooking time according to your food or menu. For this use the “Установка времени” button.
- Press the “Отмена/Поддержание тепла” button if you would like to stop the cooking process.

CLEANING

- Remove the plug from the socket before cleaning wait until the appliance has normal temperature.
- Take out the Inner Pot or Bowl for Smoking and clean it with a sponge or nonmetal soft brush, and then dry it with towel.
- Rub the Inner Surface of the appliance with a soft cloth.
- Clean the outer coating of the appliance with a soft slightly wet towel. Never dip it in water for cleaning or run water over it.
- Take off the Water Collector and clean it with a wet towel. Put it back as shown in the picture:
- Clean the Sealing Gasket, Relief Valve, and Floating Valve with soap water then dry them with a towel. After cleaning put the parts together again.

Attention! For your safety remember that when the appliance is on it must not contact with water or other liquids especially the cord and the base of the appliance.

You must not dip the appliance into the water to avoid electric shock, fire or injuring.

Never wash the appliance in a dishwasher!

TROUBLESHOOTING

NO.	A Problem	The Cause	The Solution
1	Difficult to close the Lid	The sealing gasket is not fixed well	Fix the sealing gasket well
2	Difficult to open the Lid	The pressure inside is too high	Let the steam out turning the relief valve left or right
3	Steam leaks off the Lid	There isn't a sealing gasket in the Lid	Put the sealing gasket into the Lid (see “Appliance use” paragraph)

		The sealing gasket isn't clean	Clean the Sealing Gasket
		The sealing gasket is damaged or deformed	Change a broken or deformed Sealing Gasket to a new one in a UNIT service center
		The Lid isn't fixed properly	Fix the Lid properly
4	Indicating lights are not on	The appliance isn't powered on	Check the power cord and the plug
		Some other problems	Send the appliance to a UNIT service center
5	E1	Open circuit of the sensor	Send the appliance to a UNIT service center
	E2	Short circuit of the sensor	
	E3	Over-temperature	
	E4	Disable signal switch	

SPECIFICATIONS

Model	Rated Voltage	Power	Capacity	Diameter	Working Pressure
USP-1200S	220-240V	1100 W	6L	22 cm	0-70 kPa

Max Pressure	Keeping warm Temperature	Pre-set Time	Pressure-keeping Time	Max keep warm Time	Lifetime
90 kPa	70-80°C	0-24 hours	1-60 min	0-24 hours	20000 cycles but not more than 5 years from the date of the purchase

The head office of the manufacturer :

«UNIT Handelsgesellschaft G.m.b.H.»
131, Gersthofer Str., A-1180, Vienna, Austria

Exported by:

«UNIT Electronics (H. K.) Limited»
3905 Two Exchange Square, 8 Connaught Place, Central, Hong Kong

The Manufacturer's representative in Russia:

Unit Production Ltd, 109147, 34/10, Marksistskaya str., Moscow, Russia,
tel. +7 (495) 748 09 17, email: www.unit.ru

Made in People's Republic of China (P.R.C.)

This appliance is to be stored and used under the following conditions: temperature – not less than +5°C; relative humidity - not higher than 80%; aggressive impurities in the air: not allowable.

As the Manufacturer is constantly working on the improvement of its products, the design and technical specifications are subject to change without prior notice.

**ЭЛЕКТРИЧЕСКАЯ СКОРОВАРКА-КОПТИЛЬНЯ
USP-1200S**

Благодарим Вас за покупку изделия фирмы UNIT!

Внимание! При покупке изделия фирмы UNIT Вы должны получить от продавца заполненный гарантийный талон. Только при его наличии Вы сможете воспользоваться гарантией производителя во всех сервисных центрах бытовой техники UNIT.

ПЕРЕД ИСПОЛЬЗОВАНИЕМ ПРИБОРА ВНИМАТЕЛЬНО ПРОЧИТАЙТЕ ВСЮ ИНСТРУКЦИЮ И СОХРАНИТЕ ЕЕ НА ВЕСЬ СРОК ЭКСПЛУАТАЦИИ.

НАЗНАЧЕНИЕ ПРИБОРА

Прибор предназначен для приготовления различных блюд под давлением.

СОДЕРЖАНИЕ ИНСТРУКЦИИ ПО ЭКСПЛУАТАЦИИ

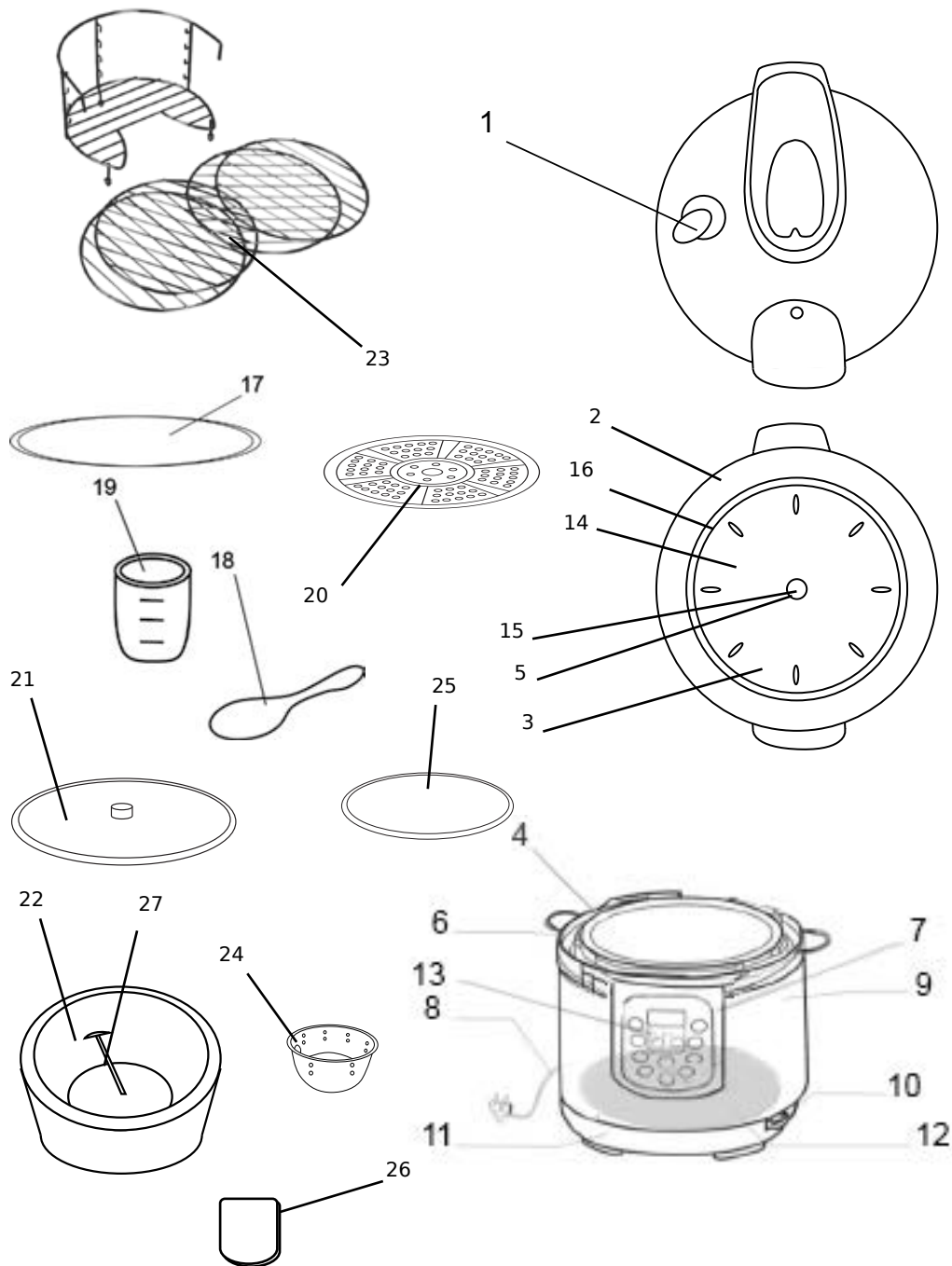
ОСНОВНЫЕ МЕРЫ БЕЗОПАСНОСТИ.....	13
ОСНОВНЫЕ ХАРАКТЕРИСТИКИ ПРИБОРА.....	15
ОПИСАНИЕ ПРИБОРА.....	17
ПОДГОТОВКА К ЭКСПЛУАТАЦИИ.....	20
ПРИСОЕДИНЕНИЕ И ОТСОЕДИНЕНИЕ КРЫШКИ.....	20
ЭКСПЛУАТАЦИЯ СКОРОВАРКИ.....	21
ЭКСПЛУАТАЦИЯ КОПТИЛЬНИ.....	24
ИСПОЛЬЗОВАНИЕ РЕШЕТКИ ДЛЯ ПРИГОТОВЛЕНИЯ НА ПАРУ.....	26
ЧИСТКА.....	27
ПРОБЛЕМЫ, ВОЗНИКАЮЩИЕ В ПРОЦЕССЕ ЭКСПЛУАТАЦИИ И ВОЗМОЖНЫЕ ПРИЧИНЫ ИХ ВОЗНИКНОВЕНИЯ.....	28
ОСНОВНЫЕ ТЕХНИЧЕСКИЕ ХАРАКТЕРИСТИКИ.....	28

РЕЦЕПТЫ ДЛЯ СКОРОВАРКИ-КОПТИЛЬНИ USP-1200S В КОНЦЕ ИНСТРУКЦИИ

ОСНОВНЫЕ МЕРЫ БЕЗОПАСНОСТИ

При использовании прибора для предотвращения пожара, удара электрическим током и/или какого-либо другого повреждения, необходимо всегда соблюдать технику безопасности, включая следующие положения:

- Перед началом эксплуатации прибора внимательно изучите данную инструкцию.
- Никогда не используйте скороварку-коптильню для приготовления продуктов, которые могут загореться в процессе приготовления (легко воспламеняющихся продуктов).
- Не размещайте прибор рядом с источниками тепла, такими как отопительные приборы, газовые и электрические плиты. Не используйте прибор в местах с повышенной влажностью.
- Количество жидкости и продуктов, закладываемых во внутреннюю чашу и чашу для копчения, должно соответствовать количеству, рекомендованному в п. 2 раздела «Эксплуатация прибора» (см. Рис. 2,3). Категорически запрещается класть во внутреннюю чашу и в чашу для копчения большее количество продуктов и/или жидкости, чем это указано в п. 2 раздела «Эксплуатация прибора» (см. Рис. 2,3).
- Категорически запрещается эксплуатация прибора, если уплотнительное кольцо имеет какие-либо повреждения. Эксплуатация прибора допускается только с уплотнительным кольцом поставляемым с данной скороваркой. Никогда не используйте в качестве уплотнительного кольца какое-либо иное кольцо или предмет.
- Никогда не скручивайте и не деформируйте Внутреннее стальное кольцо рукой или каким-либо предметом. Запрещается эксплуатация прибора при наличии каких-либо повреждений Внутреннего стального кольца, а также в случае смещения Кольца или его отсутствия. При наличии повреждений Стального кольца или при его отсутствии обратитесь в сервисный центр UNIT для замены или ремонта Крышки. При этом ремонт или замена Крышки по причине повреждений, деформации и смещения Внутреннего стального кольца не будет



считаться гарантийным случаем.

- Не допускайте загрязнения Предохранителя. Регулярно очищайте Предохранитель от загрязнений.
- Снимать Крышку с прибора разрешается только когда регулятор давления находится в положении разгерметизации.
- Регулярно очищайте дно внутренней чаши, чаши для копчения и Нагревательный элемент скороварки, не допускайте их загрязнения. Запрещается использовать внутреннюю чашу и чашу для копчения каким-либо иным способом, кроме как описано в данной инструкции. Не используйте чаши для приготовления каких-либо блюд на открытом огне, в микроволновой печи и т. д.
- Запрещается ставить внутрь скороварки какую-либо иную чашу или контейнер, кроме внутренней чаши и чаши для копчения, которая поставляется в комплекте с прибором.
- Внутренняя поверхность Съёмной чаши имеет специальное керамическое антипригарное покрытие, которое требует аккуратного и бережного обращения. Чтобы не повредить керамическое антипригарное покрытие чаши, рекомендуется пользоваться деревянной ложкой или пластиковой ложкой поставляемой в комплекте с прибором.
- Помните, что максимальное время использования функции поддержания тепла составляет 24 часа. По истечении этого времени Вам необходимо выключить прибор, отключив его от электросети. Запрещается использование функции поддержания тепла более 24 часов. Запрещается использование функции поддержания тепла при наличии во внутренней чаше и чаше для копчения скоропортящихся продуктов.

Внимание! Помните, что данный прибор работает под давлением и требует очень внимательного и аккуратного обращения. В случае, если давление внутри прибора превышает норму, избыток давления будет устранен автоматически, при помощи Предохранительного клапана. При стабилизации давления внутри прибора, избыток пара выходит через Предохранительный клапан.

- Избегайте контакта пара с открытыми участками кожи, руками или лицом в процессе приготовления блюд в скороварке-коптильне. Существует риск получения ожога!!! Выделение большого количества пара в процессе использования не является нормой в работе прибора. Если это произошло, немедленно отключите прибор от электросети и обратитесь в сервисный центр UNIT для осмотра, ремонта или настройки прибора.
- Будьте предельно осторожны когда перемещаете скороварку-коптильню, в которой находится горячая пища или жидкость. Когда двигаете или переносите прибор, держите скороварку только за Ручки. Никогда не держите прибор за Ручку крышки, когда Вы двигаете или переносите прибор.

Внимание! Категорически запрещается самостоятельно разбирать прибор (в т. ч. отсоединять Основание прибора), так как это может привести к пожару, удару электрическим током или несчастному случаю. Ремонт должен производиться только в сервисных центрах UNIT.

- Будьте внимательны, во время эксплуатации некоторые детали прибора нагреваются. Не прикасайтесь к горячим поверхностям прибора. При эксплуатации прибора используйте только ручки или кнопки.
- Во избежание пожара, удара электрическим током или получения травм следите, чтобы Съёмный сетевой шнур, вилка и основание скороварки не соприкасались с водой или иной жидкостью!!!
- Будьте особенно внимательны при эксплуатации прибора в присутствии детей и инвалидов. Запрещается эксплуатация прибора детьми.
- Всегда отключайте прибор от электросети по окончании эксплуатации и перед чисткой.
- Отсоединяя прибор от электросети, держитесь за вилку, а не за Сетевой шнур. Перед чисткой, и прежде чем снять или установить какую-либо деталь скороварки-коптильни, дождитесь полного остывания прибора.
- Запрещается использование электроприбора с видимыми механическими повреждениями (в т. ч. сетевого шнура или вилки), а также после его падения или какого-либо другого повреждения. В этом случае обратитесь в сервисный центр UNIT для осмотра или ремонта прибора.
- Прибор предназначен только для бытового использования. Запрещается коммерческое

использование прибора.

- Не используйте прибор вне помещения.
- Не допускайте соприкосновения Сетевого шнура с горячими поверхностями. Сетевой шнур не следует дергать, перекручивать или тянуть. Во время эксплуатации Сетевой шнур не должен свешиваться с края стола или рабочей поверхности.
- Использование устройств, приспособлений и аксессуаров, не входящих в комплектацию данного прибора, может привести к пожару, удару электрическим током или несчастному случаю. Используйте только приспособления и аксессуары, поставляемые вместе с прибором. В противном случае Вы утрачиваете право на гарантию и гарантийное обслуживание.
- Не используйте для чистки прибора и аксессуаров абразивные очистители и агрессивные моющие вещества.
- Прежде чем подключить прибор к электросети, убедитесь в том, что напряжение, указанное на приборе (220-240 В, 50 Гц) соответствует напряжению электросети в Вашем доме.
- Для копчения всегда используйте решетку для копчения, не кладите продукты на дно чаши для копчения.
- Никогда не используйте скороварку-коптильню, если во внутренней чаше или чаше для копчения нет продуктов и/или жидкость, за исключением режима «Холодное копчение».
- Не используйте внутреннюю чашу и чашу для копчения прибора и саму скороварку-коптильню для хранения продуктов.
- Если в процессе приготовления Вы услышали звуковой сигнал и на ЖК дисплее появился знак кода ошибки (см. таблицу ниже), то немедленно отключите прибор от электросети и обратитесь в сервисный центр UNIT для ремонта или настройки прибора. Эксплуатация прибора в данном случае запрещается.

Коды ошибок

Код индикации	E1	E2	E3	E4
Неполадка	Отключена электросхема сенсорного датчика	Замыкание сенсорного датчика	Произошел перегрев прибора	Сигнал блокировки выключателя

ВНИМАНИЕ!

1. Будьте особенно осторожны, когда внутри прибора автоматически понижается давление, так как в этот момент из Предохранительного клапана выделяется пар. Избегайте контакта горячего пара с лицом или руками – существует риск получения ожогов.
2. Не дотрагивайтесь до горячих поверхностей и Крышки прибора. Перед тем как снять Крышку с прибора или перед чисткой, дождитесь полного остывания прибора.
3. Категорически запрещается каким-либо образом блокировать место прилегания крышки к корпусу прибора, например, накрывать его полотенцем.
4. Категорически запрещается открывать Крышку прибора под давлением. Перед тем как открыть Крышку необходимо дождаться, когда значение давления внутри прибора достигнет безопасного значения.
5. Всегда отключайте прибор от электросети перед тем как открыть Крышку прибора.

СОХРАНИТЕ ЭТУ ИНСТРУКЦИЮ НА ВЕСЬ СРОК ЭКСПЛУАТАЦИИ ПРИБОРА!

ОСНОВНЫЕ ХАРАКТЕРИСТИКИ ПРИБОРА

Электрическая скороварка-коптильня – это современный и многофункциональный прибор, в котором Вы легко и быстро сможете приготовить Ваши любимые блюда. В скороварке-коптильне продукты готовятся на пару или в собственном соку, что позволяет не использовать для их приготовления жир или масло, при этом сохраняются витамины и минералы, которые теряются при обычной варке или жарке.

Электрическая скороварка-коптильня – это идеальный прибор для современных хозяек, которые не только заботятся о своем здоровье, но и ценят свое время. Вам не надо стоять около плиты и следить за приготовлением блюд. Вы просто кладете в скороварку все необходимые

ингредиенты и задаете параметры приготовления блюда.

Модель USP-1200S оснащена адаптированным меню, благодаря которому Вы сможете выбрать режим работы для блюда, которое Вы хотите приготовить. Вам больше не надо запоминать значения температуры, каждый раз готовя новые блюда. Преимущества скороварки USP-1200S.

Функциональность и простота в управлении

Вы можете приготовить в скороварке-коптильне практически любое блюдо, включая рис, кашу, суп, жаркое, рыбу и т. д. А также использовать данный прибор для тушения и приготовления продуктов на пару. Для приготовления блюда Вам не нужно выставлять значения температуры или давления, - управление прибором сводится к простому нажатию на кнопку панели управления. Вам необходимо просто заложить продукты в скороварку-коптильню и при необходимости изменить запрограммированное время приготовления, а скороварка-коптильня автоматически будет поддерживать оптимальную температуру и давление внутри скороварки-коптильни, необходимые для приготовления блюда. По завершении процесса приготовления блюда Вы услышите звуковой сигнал, и скороварка-коптильня автоматически включит функцию поддержания тепла.

Функция копчения

С помощью этого прибора Вы приготовите вкусную копченую пищу в домашних условиях.

В приборе 2 программы копчения: горячее копчение, холодное копчение. Также можно комбинировать горячее и холодное копчение.

Вы можете добавлять опилки дерева вишни, груши, яблони, бука, дуба, ольхи, осины, березы для копчения мяса, рыбы, сыров, овощей.

При обычном способе приготовления шашлыка теряется от 40% до 50% объема мяса и в результате получается сухой, плохо прожевываемый продукт. При приготовлении шашлыка в коптильне, продукт не высушивается, а остается сочным. К тому же значительно меньше времени занимает процесс приготовления в коптильне, чем традиционный метод приготовления на углях.

После процесса копчения еда может быть заморожена, при этом она не потеряет свой аромат.

Функция отложенного старта (до 24 часов) – установите время, по прошествии которого Вы хотите чтобы скороварка-коптильня включилась, и по истечении заданного времени она включится автоматически. Отложенный старт. Вы можете отсрочить старт для любой программы, кроме программ “Поджаривание”, “Мульти-Режим”.

Функция “Поддержание тепла” автоматически включается для всех программ, кроме программ “Холодное копчение” и “Поджаривание”.

Функция памяти – в случае внезапного отключения электроэнергии в процессе приготовления блюда, прибор автоматически запомнит все установки приготовления, и при включении прибора процесс приготовления будет продолжен с того момента, на котором процесс приготовления был прерван.

Быстрое приготовление блюда, экономия времени и электроэнергии

- В скороварке продукты готовятся под давлением, которое определяется типом готовящихся продуктов, то есть для каждого типа продуктов выбирается оптимальный способ приготовления – продукты готовятся быстрее – экономится время и электроэнергия.
- В скороварке Вы можете приготовить блюдо, затратив до 15% меньше времени и до 20% меньше электроэнергии, чем если бы Вы приготовили блюдо в обычной пароварке.
- При приготовлении в скороварке рисовой каши, супа, а также при тушении продуктов, которые обычно долго тушатся, Вы экономите 40% времени и 45% электроэнергии.

Вкусные и полезные блюда

- В скороварке-коптильне продукты готовятся без доступа воздуха при температуре 110-115°C, благодаря чему в них сохраняется больше витаминов и минералов, а также сохраняется исходный вкус продуктов.
- При приготовлении различных блюд традиционными способами (на плите), часто выделяется большое количество пара и неприятных запахов. Скороварка-коптильня позволяет готовить блюда без постоянного выделения пара и запахов готовящихся продуктов.

Сочетание стильного дизайна, качества и надежности

Данная модель имеет стильный дизайн, оснащена современной удобной сенсорной панелью и восемью степенями защиты, которые делают работу прибора более безопасной и комфортной.

- **Система безопасности**

Крышка прибора сконструирована таким образом, чтобы обеспечить максимальную защиту даже при очень высоком давлении внутри прибора. Кроме того, Вы не сможете открыть Крышку, если внутри слишком высокое давление, что является очень важным моментом для Вашей безопасности. Так как если Вы откроете Крышку прибора под давлением, это может привести к выделению большого количества пара и ожогам.

• Устройство поддержания безопасного значения внутреннего давления

Если значение внутреннего давления превысит значение, необходимое для приготовления блюда, сработает Предохранительный клапан снижения давления, при этом из прибора будет выпущен воздух и давление снизится.

• Устройство уменьшения внутреннего давления

Если не сработает устройство поддержания безопасного значения внутреннего давления, сработает устройство уменьшения внутреннего давления и избыток давления будет устранен через дополнительное защитное устройство, расположенное в месте прилегания Крышки к корпусу прибора.

• Защита от перегрева

Скороварка-коптильня автоматически выключится, если температура во внутренней чаше или в чаше для копчения превышает заданную температуру.

Основными параметрами при приготовлении продуктов в скороварке-коптильне являются следующие два:

• Время приготовления продуктов под давлением – это время, при котором идет цикл приготовления под давлением. Значение времени приготовления продуктов под давлением вы при необходимости можете изменить на Панели управления.

• Время подогрева (функция поддержания тепла) – когда заканчивается цикл приготовления, автоматически включается функция поддержания тепла и начинается цикл подогрева. При данном цикле работы внутри прибора поддерживается температура от 60 до 80°C. Максимальное время использования функции поддержания тепла составляет 24 часа, по прошествии которых Вы должны выключить прибор, отсоединив его от электросети.

ОПИСАНИЕ ПРИБОРА

1. Регулятор снижения давления
2. Пластиковая часть крышки
3. Стальная часть крышки
4. Съёмная внутренняя чаша с керамическим антипригарным покрытием
5. Клапан выпуска пара
6. Пластиковая оправа
7. Панель управления
8. Съёмный сетевой шнур
9. Стальной корпус
10. Фиксатор ложки
11. Пластиковая основа
12. Нагревательный элемент
13. Сенсор
14. Съёмный диск
15. Предохранитель для клапана выпуска пара
16. Эластичное уплотнительное кольцо
17. Запасное эластичное уплотнительное кольцо
18. Ложка
19. Мерный стакан
20. Решетка для приготовления на пару
21. Пластиковая крышка для чаши
22. Чаша для копчения
23. Решетка для копчения
24. Чаша для обугливания щепы
25. Крышка для чаши для обугливания щепы
26. Контейнер для сбора конденсата
27. Нагревательный элемент

Кнопки панели управления

Название кнопки	Назначение	Время, запрограммированное для данного вида функции, мин	Диапазон ручной настройки времени (после выбора режима в течение 5 секунд установите время)	Примечание
Отмена/Поддержание тепла	Отмена установок/включение функции поддержания тепла	-	-	При нажатии кнопки «Отмена/Поддержание тепла» без выбранного ранее режима приготовления автоматически включается функция поддержания тепла
Установка времени	Установка времени приготовления/Таймер отложенного старта	Установка времени: установка таймера отложенного старта с шагом - 1 час, отмена/поддержание тепла с шагом - 1 минута	«+» / «Установка времени» «-» / «Отмена/Поддержание тепла»	До выбора программы приготовления эта кнопка устанавливает таймер отложенного старта; после выбора программы приготовления эта кнопка меняет время приготовления продукта.
Рис	Приготовление риса	12	5-16	До выбора программы приготовления эта кнопка устанавливает таймер отложенного старта; после выбора программы приготовления эта кнопка меняет время приготовления продукта.
Овсянка	Приготовление овсянки	5	3-15	Эта программа предназначена для приготовления овсяной каши, для приготовления гречки время нужно увеличить до 10 минут
Мясо	Приготовление мяса	20	10-30	Для приготовления мяса птицы можно уменьшить время до 15 минут. Приготовление плова в этом режиме займет 30 минут

Рыба	Приготовление рыбы	10	5-15	
Холодец	Приготовление холодца	58	20-120	
Разогрев	Быстрый разогрев	8	3-15	
Бобовые	Приготовление бобовых, субпродуктов	40	20-60	
Мульти-Режим	Для приготовления различных блюд	18	5-45	Универсальный режим, в котором можно приготовить любое блюдо.
Пароварка	Приготовление на пару	15	1-45	Добавить в чашу воды и поместить аксессуар — решетку для приготовления на пару
Поджаривание		20	1-20	После поджаривания можно готовить блюдо в любом другом режиме. Крышка должна быть открыта. Время приготовления не должно превышать 20 минут.

Вы можете изменить время приготовления в течение 5 секунд после выбора программы.

Программы копчения

Холодное копчение	Программа предназначена для придания аромата уже готовым блюдам: мясу, рыбе, сыру. Программа не предназначена для приготовления сырых продуктов.	20	1-120	Регулятор давления должен находиться в положении «Герметично». Не следует добавлять воду в режиме «Холодное копчение».
Горячее копчение	Для копчения мяса, рыбы, овощей.	25	1-120	Регулятор давления должен находиться в положении «Герметично». Необходимо добавить 200-300 мл воды.
Комбинирование холодного и горячего копчения	Для придания сильного копченого аромата.	20, 25	1-120	Регулятор давления должен находиться в положении «Герметично». Необходимо добавить 200-300 мл воды.

Вы можете изменить время приготовления в течение 5 секунд после выбора программы.

Примечания: время, приведенное в таблице, является усредненным, и в разных ситуациях может понадобиться изменить его в зависимости от характеристик продукта, основного рецепта, предпочтений пользователей, объема продукта, поэтому рекомендуем опытным путем выявить наиболее подходящее время приготовления.

Важно! Отсчет времени готовки начинается после набора необходимого давления внутри скороварки-коптильни (в режиме когда Регулятор снижения давления в положение «герметично»). Это может занять дополнительно 5-25 минут в зависимости от загруженности Чашы.

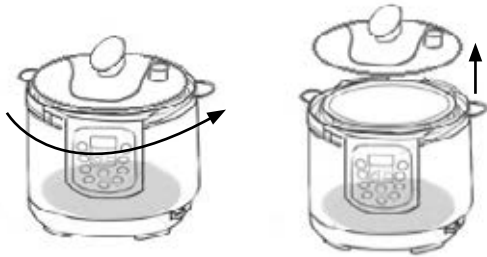
ПОДГОТОВКА К ЭКСПЛУАТАЦИИ

- Освободите прибор и все аксессуары от упаковочного материала.
- Установите прибор на ровной и сухой поверхности.
- Тщательно промойте все детали, которые будут контактировать с продуктами, включая Внутреннюю чашу, Мерный стаканчик, Ложку и Решетку для приготовления на пару в теплой мыльной воде, тщательно ополосните, а затем вытрите насухо.
- Протрите корпус, Внутреннее покрытие прибора, а также Крышку влажной губкой, а затем тщательно высушите чистой, сухой тряпкой.
- Прежде чем подключить прибор к электросети, убедитесь, что напряжение указанное на приборе соответствует напряжению электросети в Вашем доме (220-240 В, 50 Гц).
- Не погружайте прибор в воду или какую-либо иную жидкость!

ПРИСОЕДИНЕНИЕ И ОТСОЕДИНЕНИЕ КРЫШКИ

Чтобы отсоединить крышку:

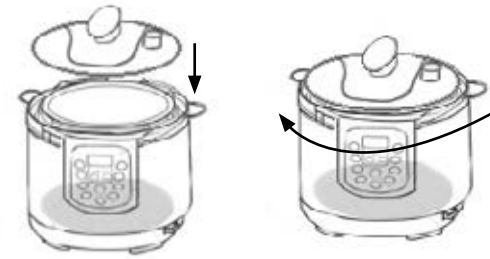
- Поместите прибор на ровной твердой поверхности.
- Поверните крышку за ручку против часовой стрелки, как указано на рисунке, и поднимайте вверх.



Внимание! Во время использования прибора некоторые поверхности могут сильно нагреваться. Перед снятием крышки дождитесь остывания прибора.

Чтобы присоединить крышку:

- Опустите крышку и поверните по часовой стрелке до упора. В этом положении крышка зафиксирована.
- Во время приготовления блюда, важно, чтобы крышка была повернута до конца, поскольку на внутренней стороне крышки установлен блокирующий клапан, который, в противном случае, не позволит начать процесс приготовления.



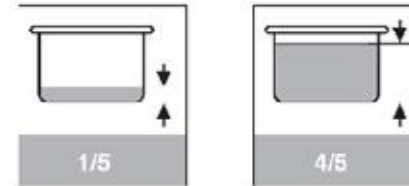
ЭКСПЛУАТАЦИЯ СКОРОВАРКИ

1. Откройте Крышку, повернув ручку крышки по часовой стрелке.
2. Извлеките Внутреннюю чашу из прибора, для этого нужно взять Чашу двумя руками и потянуть вверх.

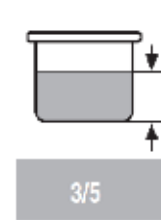
На стенках Внутренней чаши есть двойная шкала измерения:

- в долях – 1/5, 2/5, 3/5, 4/5;
- и в чашках (CUP) – 2, 4, 5, 8;
- а также FULL (полная чаша).

Наполните Чашу продуктами, которые собираетесь готовить, и водой, обращая внимание на то, что уровень содержимого располагался между отметками 1/5 и 4/5 (отметка минимального уровня – 1/5, отметка максимального уровня – 4/5).

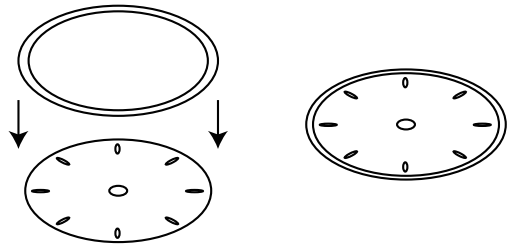


Для продуктов, которые увеличиваются в размерах в процессе приготовления, отметка максимального уровня не должна превышать отметку 3/5!



Примечание: для того, чтобы продукт готовился равномерно, необходимо, чтобы он был полностью погружен в воду, иначе продукт, находящийся над уровнем воды может оказаться недодаренным.

3. Перед тем как поместить Чашу в прибор, убедитесь, что на поверхности Внутреннего покрытия и Нагревательного элемента нет никаких загрязнений. В случае наличия загрязнения очистите Внутреннее покрытие прибора и Нагревательный элемент, протерев их чистой, чуть влажной тряпкой, и тщательно высушите.
4. Осторожно возьмите чашу с продуктами за края двумя руками и поместите внутри прибора
5. Далее необходимо герметично закрыть Крышку, для этого выполните следующие действия:
 - Установите эластичное кольцо на внутренней поверхности крышки прибора.



- Если уплотнительное кольцо плохо закреплено или неправильно расположено, зафиксируйте его на съемном диске должным образом
 - Далее возьмите крышку за ручку и поверните крышку по часовой стрелке до упора. Крышка надежно зафиксировалась в нужном положении.
6. Не забудьте перед включением установить Регулятор снижения давления в положение “герметично”, в таком положении воздух не сможет выходить из прибора, благодаря чему внутри устанавливается необходимое для начала готовки давление. Также закрытый клапан предотвращает выкипанию жидкости и подгоранию продуктов.
7. Включите прибор, подсоединив его к электросети, на дисплее появится «00:00». Теперь нужно задать параметры приготовления.

Таймер включения

В случае, если нет необходимости в отложении времени начала приготовления, пропустите этот шаг и переходите к следующему.

В том случае, если Вы хотите, чтобы процесс приготовления начался не сразу, а через определенное время, Вы можете воспользоваться таймером включения. Тогда подготовленная к работе скороварка-коптильня самостоятельно начнет приготовление пищи через заданное время; для этого сразу после включения скороварки-коптильни (ДО выбора программы приготовления) в сеть нужно нажать кнопку «Установка времени». С помощью этой кнопки установите нужное время. Например, если указанное значение - «4:00», приготовление блюда начнется через 4 часа. Максимальное время, на которое Вы можете отложить приготовление блюда составляет 24 часа.

8. Установка параметров приготовления. На панели управления есть меню, с помощью которого Вы задаете программу приготовления в зависимости от вида продукта. Для того, чтобы начать приготовление, нажмите кнопку, соответствующую нужному продукту. Например, для приготовления риса, нужно нажать кнопку «Рис».

Примечание: стоит помнить о том, что программы рассчитаны на основе средних значений характеристик продуктов, таких как: степень жесткости, степень зрелости, предпочтительная степень разваренности продукта, размер кусков и т.п., поэтому рекомендуем, основываясь на данных программах, варьировать время приготовления по своему вкусу.

9. Изменить значение времени приготовления под высоким давлением можно с помощью кнопок (+/-) «Установка времени»/ «Отмена», например: если Вы готовите фасоль, нужно после включения прибора в сеть нажать кнопку «Бобовые», при этом появится «P0:40», это значение показывает, что после достижения внутри прибора высокого рабочего давления до окончания приготовления блюда пройдет 40 минут.

В случае, если это время нужно сократить, нажимайте кнопку «Отмена/Поддержание тепла» (-) до тех пор, пока не увидите нужное значение времени.

Если необходимо увеличить время приготовления блюда, нажимайте кнопку «Установка времени» (+) до нужного вам значения в рамках диапазона заданного режима. К примеру, для режима «Бобовые» - это 20-60 минут.

Важно! Время между нажатием кнопок определенного продукта и изменения времени не должно превышать 3-х секунд, иначе процесс приготовления начнется, «не дождавшись» Вашей корректировки времени.

Примечание: Время, указанное после нажатия кнопки нужного продукта -Pх:хх - не равно длительности всего периода приготовления, т.к. не включает период времени от начала приготовления до достижения внутри прибора высокого давления, необходимого для приготовления блюда. Процесс набора давления происходит при закрытом Регуляторе снижения давления и может занимать 5-25 минут в зависимости от загруженности чаши.

В случае если продукт, который Вы собираетесь готовить, не относится ни к одной из групп блюд, которые есть в меню Кнопок выбора блюд на панели управления, необходимо выбрать группу, близкую по характеристикам и при необходимости изменить время приготовления при высоком давлении (PХ:ХХ).

10. После того как давление внутри достигнет необходимого уровня, начнется обратный отсчет времени приготовления.
11. По окончании процесса приготовления (по истечении указанного на дисплее времени) прозвучит звуковой сигнал (3 раза), на Дисплее отобразится «00:00» и автоматически включится функция поддержания тепла.

Примечание: Нельзя изменить заданное время в процессе приготовления.

- Для того чтобы сбросить параметры приготовления или прервать текущий режим работы прибора (процесс приготовления, функцию поддержания тепла и т. п.) нажмите на Кнопку «Отмена/Поддержание тепла».
- Если Вы не задали параметры приготовления, то, нажав на Кнопку «Отмена/Поддержание тепла» Вы включите функцию поддержания тепла (подогрева).
- Далее необходимо снизить давление внутри прибора, для этого поверните Регулятор снижения давления в положение “выпуск пара” - положение снижения давления, и подождите около минуты.

ВНИМАНИЕ! Когда Вы поворачиваете Регулятор снижения давления в положение «выпуск пара», возможен выброс пара! Во избежание ожога не наклоняйтесь над прибором и следите, чтобы Ваши пальцы не касались отверстий Регулятора снижения давления.

Внимание! Максимальное время использования функции поддержания тепла составляет 24 часа, по прошествии этого времени выключите прибор, отсоединив его от электросети.

Примечания:

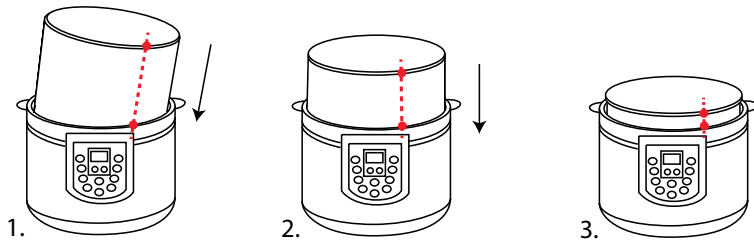
- Не рекомендуется снижать давление сразу после того, как окончится процесс приготовления. Дайте прибору остыть. Несоблюдение данного правила может привести к выбросу пара и ожогам.
- Отсоедините прибор от электросети, и отсоедините Съемный сетевой шнур от прибора.
- Возьмите Крышку за Ручку, поверните Крышку против часовой стрелки до тех пор, пока Вы не почувствуете, что крепление между корпусом прибора и Крышкой ослабло, откройте Крышку. Извлеките продукты или готовое блюдо из Чаши.

Примечания:

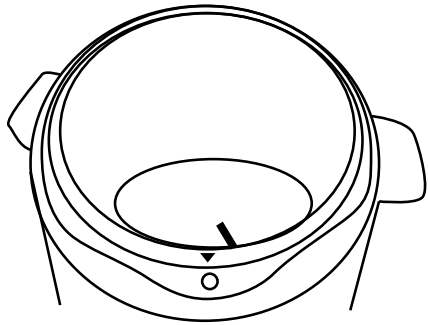
1. Внутренняя поверхность Съемной чаши имеет специальное керамическое антипригарное покрытие, которое требует очень аккуратного и бережного обращения. Чтобы не повредить керамическое антипригарное покрытие Чаши, рекомендуется пользоваться деревянной ложкой или Пластиковой ложкой, поставляемой в комплекте с прибором.
2. Будьте очень осторожны при извлечении продуктов или готового блюда из Чаши, так как стенки Чаши, а также сами продукты могут быть очень горячими!

ЭКСПЛУАТАЦИЯ КОПТИЛЬНИ

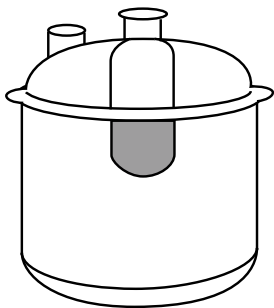
1. Поместите чашу для копчения в скороварку-коптильню. Вначале чаша для копчения устанавливается под небольшим углом. Затем положение чаши выравнивается, как показано на рисунках.



2. Красная точка на корпусе прибора и стрелка на чаше для копчения должны совпадать.



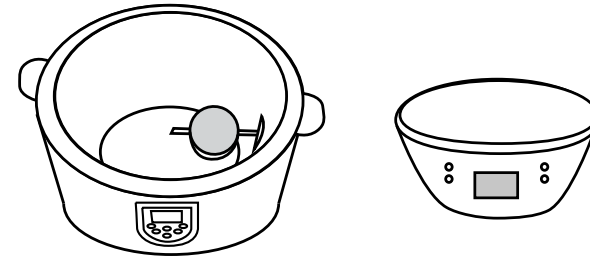
3. Убедитесь, что контейнер для сбора конденсата установлен.



4. Во всех режимах копчения крышка скороварки-коптильни должна быть закрыта. Убедитесь, что крышка установлена на приборе и плотно закрыта.

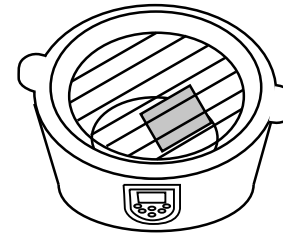
5. Проверьте наличие уплотнительного кольца на съемном диске.

6. Установите чашу для обугливания щепы на нагревательном элементе. При установке чаши для обугливания щепы квадратное отверстие должно быть впереди.



7. Насыпьте в чашу для обугливания щепы одну столовую ложку щепы и закройте крышкой, специально предназначенной для этой чаши.

8. Поместите продукты на решетку для копчения. Решетку поместите в чашу для копчения.



Внимание! Металлическая пластина на нижнем уровне решетки для копчения должна располагаться над чашей для щепы, чтобы на нее не капал жир.

9. Проверьте наличие и правильное положение уплотнительного кольца на крышке и закройте крышку скороварки-коптильни.

10. Установите регулятор давления в положение «Герметично».

11. Подключите скороварку-коптильню к электросети.

12. Запустите необходимую программу. В течение 5 секунд установите необходимое время приготовления.

13. После процесса приготовления скороварка-коптильня перейдет в режим «Поддержания тепла».

14. Отключите скороварку-коптильню от электросети.

Внимание!

- **Никогда не пытайтесь открыть крышку скороварки-коптильни силой.**
- **Прежде чем открыть крышку, необходимо обязательно сбросить давление! Для этого установите регулятор давления в положение «выпуск пара».**
- **Будьте осторожны, выходящий пар может обжечь!**
- **При приготовлении продуктов, увеличивающихся в объеме в процессе приготовления, заполняйте чашу на треть от общего объема.**
- **Использование скороварки-коптильни без уплотнительного кольца запрещается!**

ХОЛОДНОЕ КОПЧЕНИЕ

- Установите чашу для обугливания щепы на нагревательном элементе. Насыпьте одну столовую ложку щепы и закройте крышкой, предназначенной для этой чаши.
- Поместите продукт на решетку, поместите ее в чашу для копчения.
- Закройте крышку и установите регулятор давления в положение «Герметично».
- Запустите программу «Холодное копчение». В течение 5 секунд задайте необходимое время приготовления.

Внимание!

- Программа предназначена для придания аромата уже готовым продуктам. Не готовьте сырые продукты в режиме «Холодное копчение».
- Не добавляйте воду и другую жидкость в режиме «Холодное копчение»
- Не помещайте продукты на дно чаши для копчения.

ГОРЯЧЕЕ КОПЧЕНИЕ

- Установите чашу для обугливания щепы на нагревательном элементе. Насыпьте одну столовую ложку щепы и закройте крышкой, предназначенной для этой чаши.
- Добавьте 200-300 мл воды в чашу для копчения
- Поместите продукты на решетку, затем поместите ее в чашу для копчения.
- Закройте крышку скороварки-коптильни и установите регулятор давления в положение «Герметично».
- Запустите программу «Горячее копчение». В течение 5 секунд задайте необходимое время приготовления.

Внимание!

- Не помещайте продукты на дно чаши для копчения.

КОМБИНИРОВАНИЕ ХОЛОДНОГО И ГОРЯЧЕГО КОПЧЕНИЯ

- Установите чашу для обугливания щепы на нагревательном элементе. Насыпьте одну столовую ложку щепы и закройте крышкой, предназначенной для этой чаши.
- Добавьте 200-300 мл воды в чашу для копчения.
- Поместите продукты на решетку для копчения, затем установите ее в чаше для копчения
- Закройте крышку и установите регулятор давления в положение «Герметично».
- Запустите сначала программу «Холодное копчение» и установите необходимое время. В течение 5 секунд задайте необходимое время приготовления.
- Подождите 5 секунд прежде, чем запускать программу «Горячее копчение».
- Запустите программу «Горячее копчение». В течение 5 секунд задайте необходимое время приготовления.
- После завершения работы режима «Холодное копчение» запустится режим «Горячее копчение».

Внимание!

- Дождитесь снижения давления прежде, чем открывать скороварку-коптильню.
- Вы можете комбинировать режимы только в последовательности - холодное копчение, горячее копчение, как описано выше, но не наоборот!
- Не помещайте продукты на дно чаши для копчения.
- Сразу после приготовления включается функция поддержания тепла. Давление и температура внутри очень высоки, поэтому устройства защиты прибора блокируют крышку, ее невозможно открыть во избежание ожогов. Чтобы открыть крышку, прибор должен остыть и давление прийти в норму. Для того чтобы ускорить момент нормализации давления следуйте следующим указаниям:
- Отключите прибор от сети;
- Поверните регулятор снижения давления в положение «выпуск пара»;
- Когда температура и давление внутри достаточно снизятся — крышка разблокируется.

ИСПОЛЬЗОВАНИЕ РЕШЕТКИ ДЛЯ ПРИГОТОВЛЕНИЯ НА ПАРУ

- Откройте Крышку прибора и налейте во внутреннюю чашу воды до отметки 1/5 (см. раздел «Эксплуатация прибора»).
- Установите внутреннюю чашу с водой, как описано в разделе «Эксплуатация прибора».
- Поместите продукты, предназначенные для приготовления на Решетку, установите Решетку в Чашу, и закройте прибор Крышкой, см. раздел «Эксплуатация прибора».
- Установите Регулятор снижения давления в положение «герметично» (положение герметизации), см. раздел «Эксплуатация прибора».
- Подсоедините Сетевой шнур к прибору, и затем подключите Сетевой шнур к электросети.
- Нажмите Кнопку «Пароварка» и при необходимости установите время приготовления,

как описано в разделе «Эксплуатация прибора». По прошествии времени, необходимого для приготовления блюда, прибор перейдет в состояние поддержания тепла. Для того чтобы остановить процесс приготовления, нажмите кнопку «Отмена/Поддержание тепла», отсоедините прибор от электросети и извлеките продукты из внутренней чаши, как описано в разделе «Эксплуатация прибора».

ЧИСТКА

- Перед чисткой отсоедините прибор от электросети, и отсоедините Съемный сетевой шнур от прибора, и дождитесь полного остывания прибора.
- Извлеките внутреннюю чашу из прибора, промойте ее в теплой мыльной воде, ополосните и тщательно высушите.
- Промойте Эластичное уплотнительное кольцо в теплой мыльной воде, тщательно ополосните и высушите.

Примечание: Клапан предохранителя следует чистить особенно тщательно, так как наличие загрязнений может привести к его блокировке, что может помешать Предохранительному клапану стабилизировать давление внутри прибора в процессе приготовления!!!

- Для чистки основания Предохранительного клапана рекомендуется использовать щетку.

Важно! Для безопасности Вашей и окружающих помните, что любой контакт электроприборов с водой опасен! Во избежание пожара, удара электрическим током или получения травм следите, чтобы Съемный сетевой шнур, вилка и основание скороварки не соприкасались с водой или иной жидкостью!!! Категорически запрещается мыть или погружать корпус прибора в воду или мыть его в посудомоечной машине!!!

- Прежде, чем снимать чашу для щепы, убедитесь, что она холодная.
- Замочите обугленную щепу в воде прежде, чем выкидывать.

ВНИМАНИЕ! Убедитесь, что все угольки полностью потушены прежде, чем выбросить, они могут воспламениться, что приведет к пожару.

- Очистите чашу для обугливания щепы и крышку для чаши для обугливания щепы абразивными средствами, чтобы удалить остатки жира. Промойте и высушите.

Простой способ избавиться от жира - выкинуть его в полиэтиленовый пакет и запечатать его.

ВНИМАНИЕ! Убедитесь, что жир остыл, прежде чем выкидывать. Не выливайте жир в сток, так как он может его забить.

- Тщательно вымойте внутреннюю поверхность чаши для копчения в горячей мыльной воде. Вытрите сухим чистым кухонным полотенцем. Не пользуйтесь абразивными чистящие средства, так как они испортят керамическое антипригарное покрытие.
- Очистить внешние стороны скороварки-коптильни влажным кухонным полотенцем. На внешней стороне прибора Вы увидите электрическое соединение, оно должно оставаться сухим.

Чистка внешней части корпуса

- Выдерните шнур из розетки перед чисткой.
- Очистите внешнюю поверхность прибора чистым влажной кухонным полотенцем или бумажным полотенцем.

ВНИМАНИЕ! Не погружайте прибор в воду и не наливайте в него воду.

- Снимите уплотнительное силиконовое кольцо с внутренней стороны крышки и промойте его в теплой мыльной воде, высушите.
- Протрите внутреннюю поверхность крышки чистым влажным кухонным полотенцем.
- Поместите уплотнительное силиконовое кольцо обратно на внутреннюю сторону крышки.
- В верхней левой части прибора за ручкой установлен контейнер для сбора конденсата. Он используется, чтобы собрать всю лишнюю влагу. Снимите контейнер, промойте теплой водой с мылом и высушить.

ВНИМАНИЕ! Перед установкой чаши для копчения обратно в прибор, убедитесь, что красная стрелка на чаше для копчения совмещена с красной стрелкой на верхней части корпуса прибора с внешней стороны.

- Промывайте металлическую часть крышки, расположенную на внутренней стороне.

ПРОБЛЕМЫ, ВОЗНИКАЮЩИЕ В ПРОЦЕССЕ ЭКСПЛУАТАЦИИ И ВОЗМОЖНЫЕ ПРИЧИНЫ ИХ ВОЗНИКНОВЕНИЯ

NO.	Проблема	Возможная причина	Способ устранения проблемы
1	Крышка плохо закрывается	Уплотнительное кольцо плохо зафиксировано на крышке	Зафиксируйте уплотнительное кольцо
2	Крышка плохо открывается	Внутри слишком высокое давление	С помощью поворота Регулятора снижения давления вправо или влево снизьте давление
3	В процессе приготовления выделяется много пара	В крышке нет уплотнительного кольца	Вставьте уплотнительное кольцо
		На уплотнительном кольце есть загрязнения	Очистите уплотнительное кольцо
		Уплотнительное кольцо повреждено	Замените уплотнительное кольцо в сервисном центре UNIT (не является гарантийным случаем)
		Крышка плохо зафиксирована	Зафиксируйте крышку должным образом (см. раздел «Эксплуатация прибора»)
4	Панель управления не горит	Прибор не включен в сеть	Проверьте исправность розетки, шнура, вилки
		Какие-то другие неполадки	Обратитесь в сервисный центр UNIT
5	На дисплее знак кода ошибки E1	Отключена электросхема сенсорного датчика	Обратитесь в сервисный центр UNIT
	На дисплее знак кода ошибки E2	Замыкание сенсорного датчика	
	На дисплее знак кода ошибки E3	Произошел перегрев прибора	
	На дисплее знак кода ошибки E4	Сигнал блокировки выключателя	

ОСНОВНЫЕ ТЕХНИЧЕСКИЕ ХАРАКТЕРИСТИКИ

Модель	Напряжение питания	Номинальная мощность	Объем	Диаметр	Рабочее давление
USP-1200S	220-240В, 50 Гц	1100 Вт	6 л	22 см	0-70 кПа

Максимальное давление	Температура подогрева	Возможное время отложенного старта	Возможное время приготовления под давлением	Возможная продолжительность функции сохранения тепла	Срок службы прибора
90 кПа	70-80°C	0-24 ч	120 мин.	0-24 ч	20000 циклов, но не более 5 лет с даты приобретения прибора

Изготовитель: «ЮНИТ Хандельс ГмБХ»
Австрия, Вена, А-1180, Герстхофер штрассе, 131

Экспортер: «ЮНИТ Электроникс (ГК) Лимитед»
3905 Площадь Ту Эксчейндж, Коннот Плейс 8, Центральный, Гонконг

Представителем производителя продукции на территории РФ является ООО «Юнит Продакшн», адрес: 109147, Москва, Марксистская ул., д. 34, корп. 10, тел.: +7 (495) 748 09 17, email: www.unit.ru

Произведено в КНР

Хранение и эксплуатацию прибора производить в сухих отапливаемых помещениях при температуре не ниже +5°C, относительной влажности не более 80%, при отсутствии в воздухе агрессивных примесей.

При перевозке и хранении беречь от механических повреждений и иных вредоносных воздействий.

Ремонт и восстановление прибора следует производить в специализированных мастерских, согласно гарантийному талону.

Поскольку производитель постоянно работает над совершенствованием своей продукции, дизайн и технические характеристики могут быть изменены без предварительного уведомления.

Товар сертифицирован

В КОНЦЕ ДАННОЙ ИНСТРУКЦИИ МЫ ПРЕДЛАГАЕМ ВАМ РЕЦЕПТЫ ПРИГОТОВЛЕНИЯ БЛЮД С ПОМОЩЬЮ СКОРОВАРКИ-КОПТИЛЬНИ

ЭЛЕКТРЛІК ЖЫЛДАМ ҚАЙНАТАТЫН-ЫСТАЙТЫН АСПАБЫ USP-1200S

Сізге UNIT фирмасының бұйымын сатып алғаныңыз үшін алғыс білдіреміз!

Назараударыңыз! UNIT фирмасының бұйымын сатып алған кезде, Сіз сатушыдан толтырылған кепілдеме талонын алуыңыз керек. Тек ол болған жағдайда ғана, Сіз UNIT тұрмыстық техникасының барлық сервистік орталықтарында өндірушінің кепілдемесін пайдалана аласыз.

АСПАПТЫ ҚОЛДАНУДЫ БАСТАМАС БҰРЫН БАРЛЫҚ НҰСҚАУЛЫҚТЫ МҰҚИЯТ ОҚЫП ШЫҒЫҢЫЗ.

АСПАПТЫҢ ТАҒАЙЫНДАЛУЫ

Аспап қысыммен әртүрлі тағамдарды даярлау үшін арналған.

ЖЫЛДАМ ҚАЙНАТАТЫН АСПАП РЕТІНДЕ ПАЙДАЛАНУ БОЙЫНША НҰСҚАУЛЫҚ МАЗМҰНЫ

НЕГІЗГІ ҚАУІПСІЗДІК ШАРАЛАРЫ.....	30
ҚҰРАЛДЫҢ НЕГІЗГІ СИПАТТАМАЛАРЫ.....	31
ҚҰРАЛДЫҢ СИПАТТАМАСЫ.....	32
ПАЙДАЛАНУҒА ДАЙЫНДЫҚ.....	37
ҚҰРАЛДЫ ПАЙДАЛАНУ.....	37
ҚАҚПАҚТЫ ЖАЛҒАУ ЖӘНЕ АЖЫРАТУ.....	43
БУДА ПІСІРУГЕ АРНАЛҒАН ТОРДЫ ПАЙДАЛАНУ.....	43
СУЫТУ ЖҮЙЕСІ.....	44
ТАЗАЛАУ.....	44
ПАЙДАЛАНУ БАРЫСЫНДА ТУЫНДАЙТЫН МӘСЕЛЕЛЕР ЖӘНЕ ОЛАРДЫҢ ТУЫНДАУЫНЫҢ ЫҚТИМАЛ.....	45
НЕГІЗГІ ТЕХНИКАЛЫҚ СИПАТТАМАЛАР.....	46

НЕГІЗГІ ҚАУІПСІЗДІК ШАРАЛАРЫ

Құралды пайдалану кезінде, өрттің, электр тогының соғуының және / немесе қандай да болмасын басқа жарақаттанудың алдын алу үшін, келесі ережелерді қоса отырып, үнемі қауіпсіздік техникасын сақтау керек:

Құралды пайдалана бастау алдында берілген нұсқаулықты мұқият оқыңыз.

- Аспапты пайдалануды бастамас бұрын берілген нұсқаулықты мұқият оқып шығыңыз.
- Даярлану кезінде күйіп кетуі мүмкін өнімдерді (жылдам тұтанатын өнімдерді) даярлау үшін жылдам қайнататын-ыстайтын аспапты ешқашан қолданбаңыз.
- Жылыту аспаптары, газ және электр плиталары секілді жылу қайнарлары қасында аспапты орналастырмаңыз. Аспапты жоғарылатылған ылғалдылығы бар жерлерде қолданбаңыз.
- Ішкі тостағанға және ыстауға арналған тостағанға салынатын сұйықтықтар мен өнімдердің көлемі «Аспапты пайдалану» тарауының 2-т. ұсынылған көлемге сәйкес келуі тиіс (Сур. 2,3 қараңыз). Ішкі тостағанға және ыстауға арналған тостағанға «Аспапты пайдалану» тарауының 2-т. көрсетілген көлемнен көп өнімдер және/немесе сұйықтық салуға тыйым салынады (Сур. 2,3 қараңыз).
- Егер тығыздандырғыш сақинада қандай да бір бүлінулер болса аспапты пайдалануға тыйым салынады. Аспапты тек осы жылдам қайнататын аспаппен бірге жеткізілетін тығыздандырғыш сақинамен ғана пайдалануға рұқсат беріледі. Тығыздандырғыш сақина ретінде қандай да бір өзге сақинаны немесе затты ешқашан қолданбаңыз.
- Ішкі болат сақинаны қолмен немесе қандай да бір өзге затпен бұрамаңыз және түр өзгертпеңіз. Ішкі болат сақинада қандай да бір бүліну болған жағдайда, сонымен бірге Сақина жылжығанда немесе ол болмаған жағдайда аспапты пайдалануға тыйым салынады. Болат сақинада бүліну табылғанда немесе ол болмаған жағдайда

Қақпақты ауыстыру немесе жөндеу үшін UNIT қызмет көрсету орталығына жүгініңіз. Осыған қоса Ішкі болат сақинаның бүлінуі, түр өзгертуі және жылжуы себебі бойынша Қақпақты жөндеуі немесе ауыстырылуы кепілдік жағдай болып есептелінбейді.

- Сақтандырғыштың ластануына жол бермеңіз. Сақтандырғышты ластанулардан ретті түрде тазалап отырыңыз.
- Аспаптан Қақпақты қысым реттегіші саңылауландыру күйінде болғанда ғана шешіп алуға рұқсат етіледі.
- Ретті түрде ішкі тостағанның түбін, ыстауға арналған тостағанды және жылдам қайнататын аспаптың Жылыту элементін тазалап отырыңыз, олардың ластануына жол бермеңіз. Осы нұсқаулықта сипатталғаннан бөлек қандай да бір өзге тәсілмен ішкі тостағанды және ыстауға арналған тостағанды қолдануға тыйым салынады. Тостағанды ашық отта, қысқа толқынды пеште және т.б. қандай да бір тағамдарды даярлау үшін қолданбаңыз.
- Жылдам қайнату аспабының ішінде аспаппен жинақта жеткізілетін ішкі тостаған және ыстауға арналған тостағаннан бөлек қандай да бір өзге тостағанды немесе контейнерді қоюға тыйым салынады.
- Алынбалы тостағанның ішкі беткейі мұқият және ұқыпты күтім жасауды талап ететін арнайы керамикалық күюге қарсы жабынға ие. Тостағанның керамикалық күюге қарсы жабынын бүлдіріп алмау үшін ағаш қасықты немесе аспаппен бірге жинақта жеткізілетін пластик қасықты қолдану ұсынылады.
- Жылуды ұстап тұру қызметін қолданудың максималды уақыты 24 сағатты құрайтындығын есте сақтаңыз. Бұл уақыттың аяқталуына қарай Сізге аспапты сөндіру, және оны электр желісінен ажырату қажет. Жылуды ұстап тұру қызметін 24 сағаттан артық қолдануға тыйым салынады. Ішкі тостағанда және ыстауға арналған тостағанда жылдам бұзылатын өнімдер болған жағдайда жылуды ұстап тұру қызметін қолдануға тыйым салынады.
- **Назар аударыңыз!** Бұл аспаптың қысыммен жұмыс жасайтындығын және өте мұқият әрі ұқыпты күтім жасауды талап ететіндігін естен шығармаңыз. Егер аспап ішіндегі қысым нормадан асып кететін болса, артық қысым Сақтандырғыш қақпақша көмегімен автоматты түрде жойылатын болады. Аспап ішінде қысымды тұрақтандыру кезінде артық бу Сақтандырғыш қақпақша арқылы шығады.
- Жылдам қайнататын-ыстау аспабында тағамдарды даярлау кезінде будың терінің, қолдың немесе беттің ашық аумақтарымен байланысқа түсуіне жол бермеңіз. Күйіп қалу қаупі бар!!! Қолдану кезінде будың мол көлемінің бөлінуі аспап жұмысы кезінде қалыпты болып табылмайды. Егер бұл орын алған болса, аспапты электр желісінен жылдам үзу және аспапты қарау, жөндеу немесе қалыпқа келтіру үшін UNIT қызмет көрсету орталығына жүгіну қажет.
- Ішінде ыстық тағам немесе сұйықтық бар жылдам қайнататын-ыстайтын аспапты араластыру кезінде өте абай болыңыз. Аспапты қозғалтқан немесе орнын ауыстырған кезде жылдам қайнататын аспапты тек Тұтқасынан ұстаңыз. Аспапты қозғалтқан немесе орнын ауыстырған кезде Қақпағы тұтқасынан ешқашан ұстамаңыз.
- **Назар аударыңыз!** Аспапты өздігіңізбен бөлшектеуге (оның ішінде Аспаптың негіздемесін ажырату) үзілді-кесілді тыйым салынады, себебі бұл өрттің, электр тогының соғуына немесе бақытсыз жағдайдың тууына алып келуі мүмкін. Жөндеу жұмыстары тек UNIT қызмет көрсету орталықтарында ғана жүзеге асырылуы тиіс.
- Абай болыңыз, пайдалану кезінде аспаптың кейбір бөлшектері қызып кетеді. Аспаптың ыстық беткейлеріне жақындамаңыз. Аспапты пайдалану кезінде тек тұтқаларды немесе түймелерді қолданыңыз.
- Өрттің, электр тогымен соғудың немесе жарақаттанып қалуға жол бермеу үшін Алынбалы желілік сым, шанышқы және жылдам қайнататын аспаптың негіздемесі сумен немесе өзге сұйықтықпен жанаспауын қадағалаңыз!!!
- Балалар мен мүгедектердің қатысуында аспапты пайдалану кезінде ерекше абай мұқият болыңыз. Балалардың аспапты қолдануына тыйым салынады.

- Пайдаланудың аяқталуына қарай және тазалауды бастамас бұрын аспапты үнемі электр желісінен ажыратып отырыңыз.
- Аспапты электр желісінен ажырату кезінде Желілік сымнан емес, шанышқының өзінен тартыңыз. Тазалауды бастамас бұрын және жылдам қайнататын-ыстайтын аспаптан қандай да бір бөлшекті шешпес немесе орнатпас бұрын аспаптың толық сууын күтіңіз.
- Көрінетін механикалық бүлінулері бар (оның ішінде Желілік сым немесе шанышқының), сонымен бірге құлағаннан кейін немесе қандай да бір бүлінулерден кейін электрлік аспапты қолдануға тыйым салынады. Бұл жағдайда аспапты қарау немесе жөндеу үшін UNIT қызмет көрсету орталығына жүгініңіз.
- Аспап тек тұрмыстық қолдану үшін арналған. Аспапты коммерциялық мақсатта қолдануға тыйым салынады.
- Аспапты жайдан тыс жерде қолданбаңыз.
- Желілік сымның ыстық беткейлермен жанасуына рұқсат етілмейді. Желілік сымды тартудың, айналдырудың немесе созудың қажеті жоқ. Пайдалану кезінде Желілік сым үстел шетінен немесе жұмыс беткейінен салбырап тұрмауы қажет.
- Бұл аспаптың жинағына кірмейтін құрылғыларды, бейімдегіштерді және аксессуарларды қолдану өрттің тууына, электр тогымен ұрылуыға немесе бақытсыз жағдайға душар еткізуі мүмкін. Тек аспаппен жеткізілетін бейімдегіштер мен аксессуарларды ғана қолданыңыз. Кері жағдайда Сіз кепілдікке және кепілдік қызмет көрсетуге берілетін құқықты жоғалтасыз.
- Аспапты және аксессуарларды тазалау үшін қырғыш тазалағыштарды және агрессивті жуу заттарын қолданбаңыз.
- Аспапты электр желісіне қоспас бұрын аспапта көрсетілген кернеудің (220-240 В, 50 Гц) Сіздің үйіңіздегі электр желісі кернеуіне сәйкес келетіндігіне көз жеткізіңіз.
- Ыстау үшін ыстауға арналған торды үнемі қолданыңыз, өнімдерді ыстауға арналған тостаған түбіне қоймаңыз.
- Егер ішкі тостаған немесе ыстауға арналған тостаған ішінде өнімдер және/немесе сұйықтық болмаса, «Салқын ыстау» тәртібінен өзге жағдайда жылдам қайнататын-ыстау аспабын ешқашан қолданбаңыз.
- Ешқашан ішкі тостағанды және аспаптың ыстауға арналған тостағанын және жылдам қайнату-ыстау аспабының өзін өнімдерді сақтау үшін қолданбаңыз.
- Егер даярлау кезінде Сіз дыбыстық белгі естісеңіз және СК дисплейінде қате кодының белгісі (төмендегі кестені қараңыз) естілсе, онда аспапты электр желісінен жылдам ажыратыңыз және аспапты жөндеу немесе қалыпқа келтіру үшін UNIT қызмет көрсету орталығына жүгініңіз. Аспапты бұл жағдайда пайдалануға тыйым салынады.

Қателер кодтары

Индикация коды	E1	E2	E3	E4
Ақау	Сенсор датчигінің электр сызбасы сөндірулі	Сенсорлы датчиктің тұйықталуы	Аспаптың қызып кетуі орын алды	Сөндіргіш блокадеалауының белгісі

НАЗАР АУДАРЫҢЫЗ!

1. Аспаптың ішінде қысым автоматты түрде төмендеу кезінде өте абай болыңыз, себебі бұл сәтте Сақтандырғыш қақпақшадан бу бөлінеді. Будың бетпен немесе қолдармен байланысқа түсуіне жол бермеңіз – күйіп қалу қаупі бар.
2. Ыстық үстіңгі беткейлерге және аспаптың Қақпағына қол тигізбеңіз. Аспаптан қақпақты шешіп алмас бұрын немесе тазалауды бастамас бұрын аспаптың толық сууын күтіңіз.
3. Аспап корпусына қақпақтың жанасуы орнын қандай да бір тәсілмен жабуға, мысалы

орамалмен жабуға үзілді-кесілді тыйым салынады.

4. Қысымда тұрған аспап Қақпағын ашуға үзілді-кесілді тыйым салынады. Қақпақты ашпас бұрын аспап ішіндегі қысым мәнінің қауіпсіз мәнге жетуін күтіңіз.
5. Аспап қақпағын ашпас бұрын үнемі аспапты электр желісінен ажыратып отырыңыз.

АСПАПТЫ ПАЙДАЛАНУДЫҢ БАРЛЫҚ МЕРЗІМІНДЕ ОСЫ НҰСҚАУЛЫҚТЫ САҚТАП ҚОЙЫҢЫЗ!

АСПАПТЫҢ НЕГІЗГІ СИПАТТАМАЛАРЫ

Электрлік жылдам қайнату-ыстау аспабы - Өзіңіздің сүйікті асыңызды оңай әрі жылдам дайындай алатын заманауи және көп қызметті аспап. Жылдам қайнататын-ыстау аспабында өнімдер буда немесе өз сөлінде даярланады, бұл даярлау үшін майды қолданбауға мүмкіндік береді, осыған қоса әдеттегі қайнату немесе қуыру кезінде дәрумендер мен минералдарды сақталынады.

Электрлік жылдам қайнату-ыстау аспабы – бұл өз денсаулығын қадірлеп қана қоймай, уақытын бағалайтын заманауи бикелерге арналған керемет аспап. Сізге пеш жанында тұрудың және тағамдардың даярлануын қадағалаудың қажеті жоқ. Сіз бар болғаны жылдам қайнататын аспапқа барлық қажетті ингредиенттерді саласыз және тағамның даярлану өлшемдерін бересіз.

USP-1200S үлгісі бейімделген мәзірмен жабдықталған, оның көмегімен Сіз даярлағыңыз келген тағам үшін жұмыс тәртібін таңдай аласыз. Енді Сізге жаңа тағамды әрбір даярлау кезінде температура мәнін есте сақтаудың қажеті жоқ. USP-1200S жылдам қайнату аспабының артықшылықтары.

Қызметтілік және басқарудағы қарапайымдылық

Жылдам қайнату-ыстау аспабында Сіз күріш, ботқа, көже, қуырылған картоп, балық және т.б. қоса алғанда кез-келген тағамды даярлай аласыз. Сонымен бірге бұл аспапты бұқтыру үшін және буда өнімдерді даярлау үшін қолдана аласыз. Тағам даярлау үшін Сізге температура немесе қысым мәнін орнатудың қажеті жоқ, - аспапты басқару басқару панеліндегі түймеге жай басумен аяқталады. Сізге бар болғаны жылдам қайнататын-ыстау аспабына өнімдерді салу және қажеттілігіне қарай даярлаудың бағдарламаланған уақытын өзгерту қажет, ал жылдам қайнату-ыстау аспабы тағам даярлау үшін қажетті жылдам қайнату-ыстау аспабы ішінде оңтайлы температура мен қысымды автоматты түрде ұсталынатын болады. Тағамды даярлау үрдісінің аяқталуына қарай Сіз дыбыстық белгі естисіз және жылдам қайнату-ыстау аспабы жылуды ұстап тұру қызметін автоматты түрде іске қосады.

Ыстау қызметі

Бұл аспаптың көмегімен Сіз дәмді ысталған тағамды үй шарттарында даярлайсыз. Аспапта ыстаудың 2 бағдарламасы бар: ыстық ыстау, салқын ыстау. Сонымен бірге ыстық және салқын ыстауды үйлестіруге болады. Сіз етті, балықты, сырларды, көкөністерді ыстау үшін шие, алмұрт, алма, шамшат, емес, қараағашты, көктеректің, қайың ағаштарының жаңқаларын қоса аласыз. Кәуәпты әдеттегідей даярлау кезінде еттің 40% - 50% көлемінен дейін жоғалтылады және нәтижесінде құрғақ, нашар шайналатын өнім пайда болады. Ыстау аспабында кәуәпты даярлау кезінде өнім құрғамайды, сөлді күйінде қалады. Оған қоса көмірде даярлаудың дәстүрлі әдісімен салыстырғанда ыстау аспабында даярлау үрдісі барынша аз уақыт алады.

Ыстау үрдісінен кейін тамақ тозазытылуы мүмкін, бұл жағдайда да өз хош иісін жоғалтпайды.

Кейінге қалдырылған старт қызметі (24 сағатқа дейін) – жылдам қайнату-ыстау аспабы қосулы және орнатылған уақыттың аяқталуына қарай қосылатын уақытты орнатыңыз. **Кейінге қалдырылған старт.** Сіз «Жылуды ұстап тұру» және «Қуыру»

бағдарламаларынан өзге кез-келген бағдарлама үшін стартты кейінге қалдыра аласыз. **Жады қызметі** – тағамды даярлау кезінде электр қуаты күтпеген жерден сөніп қалған жағдайда аспап автоматты түрде даярлаудың барлық орнатуларын естеп сақтап қалады және аспап қосылған сәтте даярлану үрдісі тоқтаған жерінен бастап қайта жалғасады.

Тағамды жылдам даярлау, уақытты және электр қуатын үнемдеу

- Жылдам қайнау аспабында тағамдар даярланушы өнімдер типтерімен анықталатын қысымда даярланады, яғни өнімдердің әрбір типіне арналып даярлаудың оңтайлы тәсілі таңдалынады – тағам жылдам даярланады – уақыт және электр қуатын үнемделеді.
- Қарапайым буда қайнату аспабында тағам даярлаумен салыстырғанда жылдам қайнату аспабында Сіз 15%-ға кем уақытты және 20%-ға дейін кем электр қуатын шығындай отырып тағам даярлай аласыз.
- Жылдам қайнату аспабында күріш ботқасын, көжені, сонымен бірге әдетте ұзақ бұқтырылатын өнімдерді бұқтыру кезінде Сіз 40% уақытты және 45% электр қуатын үнемдей аласыз.

Дәмді және пайдалы тағамдар

- Жылдам қайнату-ыстау аспабында өнімдер ауа кіргізбестен 110-115°C температурада даярланады, осының арқасында онда барынша мол дәрумендер мен минералдарды сақталынады, сонымен бірге өнімдердің бастапқы дәмі сақталынады.
- Дәстүрлі тәсілдермен әртүрлі тағамдар даярлау кезінде (плитада) будың және жағымсыз иістердің көп көлемі бөлініп шығады. Жылдам қайнату-ыстау аспабы буды үнемі бөлусіз және даярланатын өнімдердің иісінсіз даярлауға мүмкіндік береді.

Көркем дизайн, сапа және сенімділіктің үйлесімділігі

Берілген үлгі аспап жұмысын барынша қауіпсіз және ыңғайлы ететін, көркем дизайнға ие, заманауи қолайлы сенсорлы панельмен мен қорғаныстың сегіз деңгейімен қамсыздандырылған.

• Қауіпсіздік жүйесі

Аспап қақпағы аспап ішіндегі тіпті өте жоғары қысымның өзінде максимальды қорғанысты қамтамасыз ететіндей етіп құрастырылған. Осыған қоса, егер аспап ішінде өте жоғары қысым болатын болса, Сіздің қауіпсіздігіңіз үшін маңызды сәт болып табылатын Қақпақты аша алмайсыз. Себебі, егер Сіз қысымда тұрған аспап Қақпағын ашар болсаңыз, будың көп көлемінің бөлінуіне және күйіп қалуға алып келуі мүмкін.

• Ішкі қысымның қауіпсіз мәнін ұстап тұру құрылғысы

Егер ішкі қысым мәні тағамды даярлау үшін қажетті мәннен асып кететін болса, қысымды төмендетудің Сақтандыру қақпақшасы іске қосылады, осыған қоса аспаптан ауа шығарылады және қысым төмендейді.

• Ішкі қысымды төмендету құрылғысы

Егер ішкі қысымның қауіпсіз мәнін ұстап тұру құрылғысы іске қосылмайтын болса, ішкі қысымды азайту құрылғысы іске қосылады және артық қысым аспап корпусына Қақпақтың жанасу орнында орналасқан қосымша қорғаныс құрылғысы арқылы жойылатын болады.

• Аспапты автоматты сөндіру құрылғысы

Жылдам қайнату-ыстау аспабы егер ішкі тостағанда немесе ыстауға арналған тостағанда өнімдер болмаса автоматты түрде сөндіріледі.

• Қызып кетуден қорғаныс

Жылдам қайнату-ыстау аспабы егер ішкі тостағандағы немесе ыстауға арналған тостағандағы температура берілген температурадан асып кететін болса автоматты түрде сөндіріледі.

• **Аспапқа бекітілуі бар қақпақ** — қақпақ құрастырылымы оны ашуға және аспапқа бекітілген күйі қалдыруға мүмкіндік береді.

Жылдам қайнату-ыстау аспабында өнімдерді даярлау кезіндегі негізгі өлшемдер келесі

екеуі болып табылады:

- Қысыммен өнімдерді даярлау уақыты – бұл қысым астында даярлау циклі жүретін уақыт. Қысыммен өнімдерді даярлау уақытының мәнін қажеттілігіне қарай Басқару Панелінен өзгерте аласыз.
- Жылыту уақыты (жылуды ұстап тұру қызметі) – даярлау циклі аяқталған кезде автоматты түрде жылуды ұстап тұру қызметі автоматты түрде іске қосылады және жылыту циклі басталады. Жұмыстың берілген циклінде аспаптың ішінде 60-тан 80°C температура ұсталынады. Жылуды ұстау қызметін қолданудың максимальды уақыты 24 сағат, оның аяқталуына қарай Сіз аспапты сөндіруіңіз, оны электр желісінен ажыратуыңыз қажет.

АСПАП СИПАТЫ

1. Қысымды төмендету реттегіші
2. Қақпақтың пластикалық бөлігі
3. Қақпақтың болат бөлігі
4. Керамикалық күюге қарсы жабыны бар алынбалы ішкі тостаған
5. Буды шығару қақпақшасы
6. Пластик ілдірік
7. Басқару панелі
8. Алынбалы желілік сым
9. Болат корпус
10. Қасықты бекіткіш
11. Пластик негіз
12. Жылытқыш элемент
13. Сенсор
14. Ішкі болат сақина
15. Буды босату қақпақшасына арналған сақтандырғыш
16. Эластикалық тығыздандырғыш сақина
17. Артық эластикалық тығыздандырғыш сақина
18. Қасық
19. Мөлшер стақан
20. Буда даярлауға арналған тор
21. Тостағанға арналған пластик қақпақ
22. Ыстауға арналған тостаған
23. Ыстауға арналған тор
24. Жаңқаларды күйдіруге арналған тостаған
25. Жаңқаларды күйдіруге арналған тостаған қақпағы
26. Конденсатты жинауға арналған контейнер
27. Жылыту элементі

Басқару панелінің түймелері

Түйме атауы	Тағайындалуы	Қызметтің берілген түрі үшін бағдарламаланған уақыт, мин	Уақытты қолмен қалыпқа келтіру диапазоны, мин (тәртіпті таңдағаннан кейін 3 секунд ішінде «уақытты орнату» түймесін басыңыз)	Ескертпе
Жылуды болдыртпау/қолдау	Орнатуларды болдыртпау/ жылуды ұстап тұру қызметінің қосылуы	-	-	Даярлаудың бұрынғы тәртібін таңдамастан «Болдыртпау/ Жылуды ұстап тұру» түймесін басқанда автоматты түрде жылуды ұстап тұру қызметі іске қосылады.
Уақытты орнату	Даярлау уақытын орнату/Кейінге қалдырылған старт таймері	Даярлау уақытын орнату 1 минут қадаммен /1 час қадаммен кейінге қалдырылған старт таймерін орнату	«+» / «Уақытты орнату» «-»/ «Болдыртпау/Жылуды қолдау»	Даярлау бағдарламасын таңдағанға дейін бұл түйме кейінге қалдырылған старт таймерін орнатады; даярлау бағдарламасын таңдағаннан кейін бұл түйме өнімді даярлау уақытын өзгертеді.
Күріш	Күрішті даярлау	12	5-16	

Сұлы жармасы	Сұлы жармасын даярлау	5	3-15	Бұл бағдарлама сұлы жармасының ботқасын даярлау үшін арналған, қарақұмықты даярлау үшін даярлау уақытын 10 минутқа дейін ұлғайту қажет.
Ет /Балапан еті	Етті даярлау	20	10-30	Құс етін даярлау үшін уақытты 15 минутқа дейін кемітуге болады. Бұл тәртіпте палауды әзірлеу 30 минут уақытты алады.
Балық	Балықты даярлау	10	5-15	
Ұннан пісірілетіндерді даярлау	Ұннан пісірілетіндерді даярлау	-	-	Қысымды төмендетуді реттегіш «Буды шығару» күйінде болуы тиіс. Тәртіп уақытты өздігімен есептеуге бағдарламаланған. Даярлау үрдісі «Болдыртпау» түймесін баса отырып, үзіледі.
Дірілдек	Дірілдекті даярлау	58	20-120	
Жылыту	Жылдам жылыту	8	3-15	
Бұршақ тұқымдастар	Бұршақ тұқымдастарды, субөнімдерді даярлау	40	20-60	
Мульти-Тәртіп	Әртүрлі тағамдарды даярлау үшін	18	5-45	Әртүрлі тағамдарды даярлауға болатын әмбебап тәртіп.

Қуыру	Қуыру үшін	20	-	Қуырғаннан кейін тағамды кез-келген өзге тәртіпте даярлауға болады. Қақпағы ашулы болуы тиіс. Даярлану уақыты 20 минуттан аспауы тиіс.
Буда қайнату аспабы	Буда даярлау	15	1-45	Тостағанға су құю және аксессуар – буда даярлауға арналған торға орналасты-ру
Дірілдек	Дірілдекті даярлау	40	20-120	
Жылыту	Жылдам жылыту	10	3-15	
Бұршақ тұқымдастар	Бұршақ тұқымдас-тарды, субөнімдерді даярлау	40	20-60	
Мульти-Тәртіп	Әртүрлі тағамдарды даярлау үшін	18	5-45	Әртүрлі тағамдарды даярлауға болатын әмбебап тәртіп.
Қуыру	Қуыру үшін	20	1-20	Қуырғаннан кейін тағамды кез-келген өзге тәртіпте даярлауға болады. Қақпағы ашулы болуы тиіс. Даярлану уақыты 20 минуттан аспауы тиіс.
Буда қайнату аспабы	Буда даярлау	15	1-45	Тостағанға су құю және аксессуар – буда даярлауға арналған торға орналастыру

Сіз бағдарламаны таңдағаннан кейін уақытты 5 секун ішінде өзгертуіңізге болады.

Ыстау бағдарламалары

Суық ыстау	Бағдарлама дайын тағамдарға: етке, балыққа, ірімшікке хош иіс беруге арналған. Бағдарлама шикі азықтарды өзірлеуге арналмаған.	20	1-120	Қысым реттегіші «саңылаусыз» күйінде орналасуға тиіс. «Суық ыстау» тәртібінде су қосу ұсынылмайды.
Ыстық ыстау	Ет, балық, көкөністерді ыстауға арналған.	25	1-120	Қысым реттегіші «саңылаусыз» күйінде орналасуға тиіс. 200-300 мл су қосу қажет.
Суық және ыстық ыстауды үйлестіру	Қатты ысталған хош иіс беруге арналған.	20, 25	1-120	Қысым реттегіші «саңылаусыз» күйінде орналасуға тиіс. 200-300 мл су қосу қажет.

Сіз бағдарламаны таңдағаннан кейін уақытты 5 секун ішінде өзгертуіңізге болады.

Ескертпе: кестеде келтірілген уақыт орташаландырылған болып табылады және әртүрлі жағдаяттарда өнім сипаттамалары, негізгі рецепт, қолданушылар қалаулары, өнім көлеміне тәуелді өзгерту қажеттілігі тууы мүмкін, сондықтан тәжірибелі жолмен даярлаудың барынша сәйкес уақытын табуды ұсынамыз.

Маңызды! Даярлау уақытының есептелуі жылдам қайнататын-ыстау аспабының ішінде қажетті қысымды тергеннен кейін басталады (қысымды төмендету Реттегіші «саңылаусыз» күйінде болатын тәртіпте). Бұл Тостағанның толтырылуына тәуелді қосымша 5-25 минутты алуы мүмкін.

ПАЙДАЛАНУҒА ДАЯРЛАУ

- Аспапты және барлық аксессуарларды қаптама материалдардан босатыңыз.
- Аспапты тегіс әрі құрғақ үстіңгі бетке орналастырыңыз.
- Буда даярлауға арналған Ішкі тостаған, Мөлшерлі стақан, Қасық және Торды қоса алған өніммен байланысқа түсетін барлық бөлшектерді жылы сабынды суда мұқият жуыңыз, мұқият шайыңыз, осыдан кейін құрғағанша сүртіңіз.
- Корпусты, Аспаптың ішкі жабынын, сонымен бірге Қақпақты ылғал губкамен сүртіңіз, осыдан кейін таза, құрғақ матамен мұқият кептіріңіз.
- Аспапты электр желісіне қоспас бұрын аспапта көрсетілген кернеудің Сіздің үйіңіздегі электр желісі кернеуіне сәйкес келетіндігін тексеріңіз (220-240 В, 50 Гц).
- Аспапты суға немесе қандай да бір сұйықтыққа салмаңыз!

ЖЫЛДАМ ҚАЙНАТАТЫН АСПАПТЫ ҚОЛДАНУ

1. Қақпақ тұтқасын сағат тілі бойынша бұра отырып, Қақпақты ашыңыз.
2. Аспаптан Ішкі тостағанды алыңыз, бұл үшін Тостағанды қос қолмен ұстап және жоғары қарай тарту қажет.

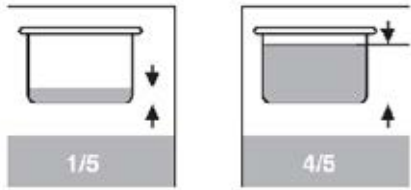
Ішкі тостаған қабырғаларында өлшеудің қос шкаласы бар:

- үлестерде - 1/5, 2/5, 3/5, 4/5;

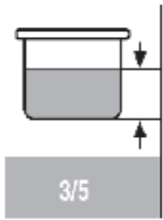
- тостағандарда (CUP) – 2, 4, 5, 8;

- сонымен бірге FULL (толық тостаған).

Тостағанды даярлағыңыз келген өнімдермен және сумен толтырыңыз, бұл кезде толтырылғандардың деңгейі 1/5 және 4/5 (минималды деңгей белгісі – 1/5, максималды деңгей белгісі – 4/5) арасында орналасуына көңіл аударыңыз.



Даярлау кезінде өлшемдерін ұлғайтатын өнімдер үшін максимальды деңгей белгісі 3/6 белгісінен аспауы тиіс!



Ескертпе: өнім тең түрде даярлануы үшін, ол толығымен суға батып тұруы қажет, болмаса су деңгейінен асып тұрған өнім піспеу қалуы мүмкін.

3. Тостағанды аспапқа орналастырмас бұрын. Ішкі жабын және Жылыту элементінің үстіңгі беттерінде ешқандай ластанулардың жоқ екендігіне көз жеткізіңіз. Ластанулар табылған жағдайда таза, аздап ылғал шүберекпен аспаптың Ішкі жабынын және Жылыту элементін сүрте отырып, тазалаңыз және мұқият кептіріңіз.
4. Өнімдер салынған Тостағанды екі қолмен шетінен ақырын ұстай отырып, үстінен басып, орнатыңыз. Тостағанды орнатқаннан кейін аспапта тегіс орнатылуы үшін суретте көрсетілгендей аздап бұрыңыз.
5. Осыдан кейін Қақпақты саңылаусыз жабу қажет, бұл үшін келесі әрекеттерді есептеңіз:
 - Аспап қақпағының ішкі үстіңгі бетіне эласикалық сақинаны орнатыңыз.
 - Егер Тығыздандырғыш сақина нашар бекітілсе немесе дұрыс орналаспаса, оны Ішкі болат сақинамен тиісті түрдегідей бекітіңіз.
 - Осыдан кейін Қақпақты Тұтқасынан ұстап, онымен аспапты жабыңыз, Қақпақты сағат тіліне қарсы тірелгенге дейін бұраңыз. Қақпақ тиісті бағытта сенімді бекітілген.
6. Аспапты қоспас бұрын Қысымды төмендету реттегішінің «саңылаусыз» күйіне орнатуды ұмытпаңыз, осы күйде ауа аспаптан шыға алмайды, осының арқасында ішінде даярлауды бастау үшін қажетті қысым орнатылады. Сонымен бірге жабық қақпақша сұйықтықтың қайнап кетуіне және өнімдердің күйіп кетуіне қарсы тұрады.

Ескертпе: Қысымды төмендету Реттегіші 2 күйге ие: «саңылаусыз» және «ауаны шығару». «Ұннан пісіру» бағдарламасында қысымды төмендету Реттегіші «бұды шығару» күйінде болуы тиіс.

7. Электр желісіне қоса отырып аспапты қосыңыз, дисплейде «00:00» пайда болады. Енді даярлаудың өлшемдерін беруге болады.

Қосу таймері

Егер даярлауды бастау уақытын кейінге қалдыруға қажеттілік болмаса, бұл қадамды өткізіп жіберіңіз және келесіге өтіңіз.

Егер Сіз даярлау үрдісі бірден емес, белгілі бір уақыт аралығынан кейін басталуын

қалаған жағдайда Сіз қосу таймерін қолдана аласыз. Сонда жұмысқа даярланған жылдам қайнату-ыстау аспабы берілген уақыт аралығынан кейін тағам даярлауды өздігімен бастайды; бұл үшін жылдам қайнату-ыстау аспабы (даярлау бағдарламасын таңдағанға ДЕЙІН) желіге қосылғаннан кейін бірден «Уақытты орнату» түймесін басу қажет. Бұл түйменің көмегімен қажетті уақытты орнатыңыз. Мысалы, егер - «4:00» мәні орнатылса, тағамның даярлануы 4 сағаттан кейін басталады. Тағамның даярлануын кейінге қалдыратын максимальды уақыт 24 сағатты құрайды.

8. Даярлану өлшемдерін орнату. Басқару панелінде өнім түріне тәуелді даярлау бағдарламасын сұрата алатын мәзір бар. Даярлауды бастау үшін сәйкес қажетті өнім түймесін басыңыз. Мысалы, күрішті даярлау үшін «Күріш» түймесін басу қажет.

Ескертпе: бағдарламаның қаттылық деңгейі, пісу деңгейі, өнімнің қайнауының қаланған деңгейі, тілімдер көлемдері және т.б. секілді өнімдер сипаттамаларының орташа мәндері негізінде есептелгендігін есте сақтау қажет, сондықтан осы бағдарламаларға негізделі отырып, өз талғамыңызға қарай даярлау уақытын түрлендіруді ұсынамыз.

9. Жоғары қысымда даярлау уақыты мәнін (+/-) «Уақытты орнату»/ «Болдыртпау» түймелері көмегімен өзгертуге болады, мысалы: егер Сіз үрме бұршақ даярласаңыз, аспапты желіге қосқаннан кейін «Бұршақ тұқымдастар» түймесін басу қажет, оған қоса «P0:40» пайда болады, бұл мән аспап ішінде жоғары жұмыс қысымына қол жеткізілгеннен кейін тағамның даярлануының аяқталуына дейін 40 минут уақыт өтеді дегенді білдіреді.

Егер бұл уақытты азайту қажет болатын болса, уақыттың қажетті мәнін көрмейінше «Болдыртпау/Жылуды ұстап тұру» (-) түймесін басыңыз.

Егер тағамның даярлану уақытын ұлғайту қажет болатын болса берілген тәртіп диапазоны аясында қажетті мәнге қол жеткізгенге дейін «Уақытты орнату» (+) түймесін басыңыз. Мысалы, «Бұршақ тұқымдастар» тәртібі үшін – бұл 20-60 минут.

Маңызды! Белгілі бір өнім және уақытты өзгерту түймелерін басу арасындағы уақыт 3 секундтан аспауы қажет, кері жағдайда даярлау үрдісі Сіздің уақытты түзетуіңізді «күтпестен» басталады.

Ескертпе: Қажетті өнім түймесін басқаннан кейін көрсетілетін уақыт -Px:xx – даярлаудың барлық кезеңі ұзақтығына тең емес, себебі даярлауды бастау уақытынан тағамды даярлау үшін қажетті аспап ішінде жоғары қысымға қол жеткізгенге дейінгі кететін уақыт қосылмаған. Қысымды жинау үрдісі Қысымды төмендету реттегіші жабық болған кезде жүзеге асырылады және тостағанның толтырылуына тәуелді 5-25 минутты алуы мүмкін.

Егер Сіз дайындағыңыз келген өнім Басқару панеліндегі тағамдарды таңдау Түймелері мәзіріндегі тағамдар топтарының бірде-біреуіне сәйкес келмесе, сипаттамалары бойынша ұқсас топты таңдау қажет және қажеттілігіне қарай жоғары қысымда даярлау уақытын өзгерту қажет (PX:XX).

10. Іштегі қысымды қажетті деңгейге жеткеннен кейін даярлау уақытының кері есептелуі басталады.
11. Даярлау үрдісінің аяқталуына қарай (дисплейде көрсетілген уақыттың аяқталуына қарай) дыбыстық белгі (3 рет) дыбысталады, ал Дисплейде «00:00» және автоматты түрде жылуды ұстап тұру қызметі іске қосылады.

Ескертпе: Берілген уақытты даярлау кезінде өзгертуге болмайды.

- Даярлау өлшемдерін босату немесе аспап жұмысының ағымдық тәртібін (даярлау

үрдісін, жылуды ұстап тұру қызметін және т.б.) үзу үшін «Болдыртпау/Жылуды ұстап тұру» түймесін басыңыз.

- Егер Сіз даярлау өлшемдерін бермеген болсаңыз, онда «Болдыртпау/Жылуды ұстап тұру» түймесін баса отырып, Сіз жылуды ұстап тұру (жылыту) қызметін іске қосасыз.
- Осыдан кейін аспап ішіндегі қысымды төмендету керек, бұл үшін қысымды төмендету Реттегішін «буды шығару» күйін – қысымды төмендету деңгейіне бұрыңыз – және шамамен минуттай күте тұрыңыз.

НАЗАР АУДАРЫҢЫЗ! Қысымды төмендету реттегішін «буды шығару» күйіне бұру кезінде будың сыртқа шығуы мүмкіндігі бар! Күйіп қалмау үшін аспап үстіне еңкеймеңіз және саусақтарыңыздың қысымды төмендету Реттегішінің саңылауына жақындамауын қадағалаңыз.

Назар аударыңыз! Жылуды ұстап тұру қызметін қолданудың максималды уақыты 24 сағатты құрайды, бұл уақыттың аяқталуына қарай аспапты сөндіріңіз, оны электр желісінен ажыратыңыз.

Примечания:

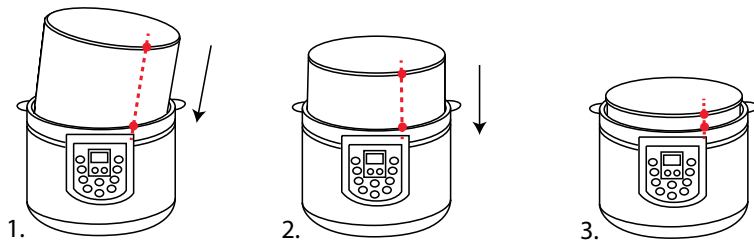
1. Сұйық немесе жабысқақ тағамдарды даярлауда (мысалы, ботқа) даярлау аяқталғаннан кейін бірден қысымды төмендету ұсынылмайды. Аспапты суытуға қойыңыз. Бұл ереженің қадағаланбауы будың шығарылуына және күйіп қалуға алып келуі мүмкін.
- Аспапты электр желісінен ажыратыңыз және Алынбалы желілік сымды аспаптан ажыратыңыз.
- Қақпақты Тұтқасынан ұстаңыз, Қақпақты сағат тіліне қарсы бағытта аспап корпусы мен Қақпақ арасындағы бекітудің әлсірегендігін сезбейінше бұраңыз, Қақпақты ашыңыз. Өнімдерді немесе даяр тағамды Тостағаннан алыңыз.

Примечания:

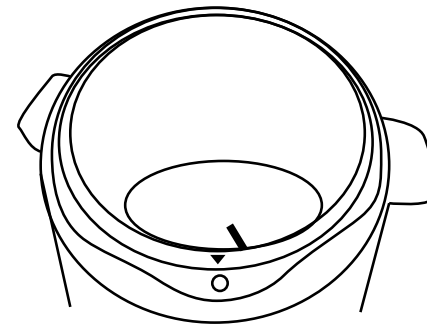
1. Алынбалы тостағанның ішкі беткейі өте мұқият және ұқыпты күтім жасауды талап ететін арнайы керамикалық күюге қарсы жабынға ие. Керамикалық күюге қарсы жабынды бүлдіріп алмау үшін ағаш қасықты немесе аспаппен бірге жеткізілетін Пластикалық қасықты қолдану ұсынылады.
2. Тостағаннан өнімдерді немесе даяр тағамды алу кезінде өте абай болыңыз, себебі Тостаған қабырғасы секілді өнімдердің өзі өте ыстық болуы мүмкін!

ЫСТАУЫШТЫ ПАЙДАЛАНУ

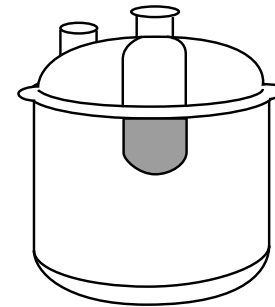
Ыстауға арналған тостағанды жылдам пісіретін ыстауышқа орналастырыңыз. Алдымен ыстауға арналған тостаған көлбеу орнатылады. Содан кейін тостаған күйі суретте көрсетілгендей түзетіледі.



Құрал корпусындағы қызыл нүкте және ыстауға арналған тостағандағы нұсқар сәйкес келуге тиіс.



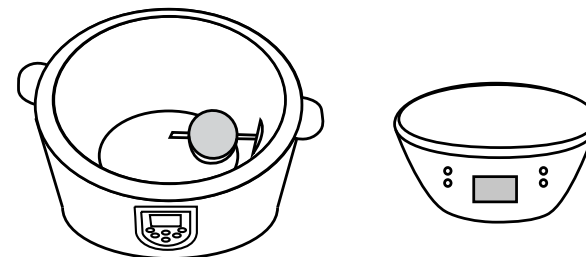
Конденсат жинауға арналған контейнердің орнатылғанына көз жеткізіңіз.



Ыстаудың барлық тәртіптерінде жылдам пісіретін ыстауыш қақпағы жабулы болуға тиіс. Қақпақтың құралда орнатылғанына және тығыз жабылғанына көз жеткізіңіз.

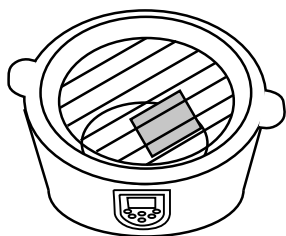
Алмалы дискте тығыздаушы сақинаның бар болуын тексеріңіз.

Жоңқаны күйдіруге арналған тостағанды қыздырушы элементке орнатыңыз. Жоңқаны күйдіруге арналған тостағанды орнату кезінде шаршы саңылау алдында болуға тиіс.



Жоңқаны күйдіруге арналған тостағанға бір ас қасық жоңқа сеуіп, осы тостағанға арналған қақпақпен жабыңыз.

Азықтарды ыстауға арналған торға орналастырыңыз. Торды ыстауға арналған тостағанға орналастырыңыз.



Назар аударыңыз! Металл пластинаға май тамбауы үшін, жоңқаға арналған тостаған үстінде орналасуы тиіс.

- Қақпақта тығыздаушы сақинаның бар болуын және дұрыс орналасуын тексеріңіз және жылдам пісіретін ыстауыш қақпағын жабыңыз.
- Қысым реттегішін «саңылаусыз» күйіне орнатыңыз.
- Жылдам пісіретін ыстауышты электр желісіне қосыңыз.
- Қажетті бағдарламаны іске қосыңыз. 5 секунд ішінде әзірлеудің қажетті уақыты орнатыңыз.
- Әзірлеу үрдісінен кейін жылдам пісіретін ыстауыш «Жылуды сақтау» тәртібіне ауысады.
- Жылдам пісіретін ыстауышты электр желісінен ажыратыңыз.

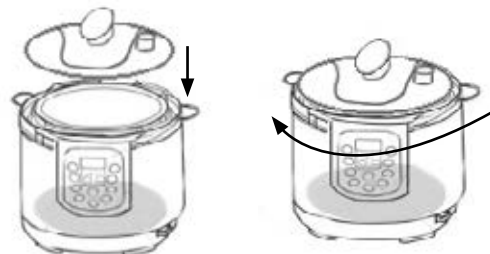
Назар аударыңыз!

- Қақпақты ашудан бұрын міндетті түрде қысымды түсіру қажет! Ол үшін қысым реттегішін «бу шығару» күйіне орнатыңыз.
- Абай болыңыз, шығарылатын бу күйдіруі мүмкін!
- Әзірлеу үрдісінде көлемі ұлғаятын азықтарды дайындау кезінде тостағанды жалпы көлемінің үштен бір бөлігіне толтырыңыз.
- Жылдам пісіретін ыстауышты тығыздаушы сақинасыз пайдалануға тыйым салынады!
- Ешқашан жылдам пісіретін ыстауыш қақпағын күшпен ашуға тырыспаңыз.

ҚАҚПАҚТЫ БІРІКТІРУ ЖӘНЕ АЖЫРАТУ

Қақпақты ажырату үшін:

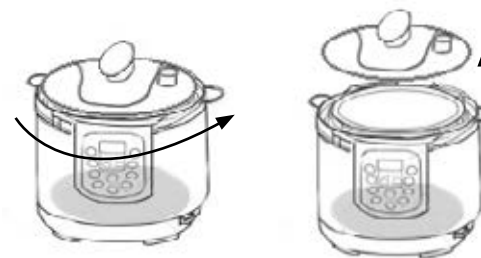
- Аспапты тегіс қатты үстіңгі бетке орналастырыңыз.
- Қақпақты тұтқасынан ұстап сағат тілі бойынша немесе сағат тіліне қарсы бағытта бұрыңыз, суретте көрсетілгендей жоғары көтеріңіз.



Назар аударыңыз! Аспапты қолдану кезінде кейбір үстіңгі беттер қатты қызып кетуі мүмкін. Қақпақты шешіп алмас бұрын аспаптың сууын күтіңіз.

Қақпақты біріктіру үшін:

- Қақпақты босатыңыз және сағат тілі немесе сағат тіліне қарсы бағытта тірелгенге дейін бұраңыз. Осы күйде қақпақ бекітілетін болады.
- Тағамды даярлау кезінде қақпақтың соңына дейін бұрылуы маңызды, себебі қақпақтың ішкі жағында шектеуші қақпақша орналасқан, ол кері жағдайда даярлау үрдісін бастауға мүмкіндік бермейді.



БУДА ДАЯРЛАУҒА АРНАЛҒАН ТОРДЫ ҚОЛДАНУ

- Аспап Қақпағын ашыңыз және ішкі тостағанға 1/6 белгісіне дейін су құйыңыз («Аспапты пайдалану» бөлімін қар.)
- Суы бар ішкі тостағанды «Аспапты пайдалану» бөлімінде сипатталғандай етіп орнатыңыз.
- Даярлауға арналған өнімдерді Торға орналастырыңыз, Торды Тостағанға орналастырыңыз және аспапты Қақпағымен жабыңыз, «Аспапты пайдалану» бөлімін қар.
- Қысымды төмендету Реттегішін «саңылаусыз» күйіне (саңылаусыз күйі) орналастырыңыз, «Аспапты пайдалану» бөлімін қар.
- Желілік сымды аспапқа жалғастырыңыз және осыдан кейін Желілік сымды электр желісіне қосыңыз.
- «Буда даярлау аспабы» Түймесін басыңыз және қажеттілігіне қарай «Аспапты пайдалану» бөлімінде сипатталғандай етіп орнатыңыз. Тағамның даярлау үшін қажетті уақыттың аяқталуына қарай аспап жылуды ұстап тұру күйіне көшіріледі. Даярлау үрдісін тоқтату үшін «Болдыртпау/жылуды ұстап тұру» түймесін басыңыз, аспапты электр желісінен ажыратыңыз және «Аспапты пайдалану» бөлімінде сипатталғандай ішкі тостағаннан өнімдерді алыңыз.

ТАЗАЛАУ

- Тазалауды бастамас бұрын аспапты электр желісінен ажыратыңыз және Алынбалы желілік сымды аспаптан суырыңыз және аспаптың толық сууын күтіңіз.
- Аспаптан ішкі тостағанды/ыстауға арналған тостағанды алыңыз, оны жылы сабынды сумен жуыңыз, шайыңыз және жақсылап кептіріңіз.
- Аспап корпусын тазалау үшін оны аздап ылғал шүберекпен сүртіңіз, осыдан кейін таза құрғақ матамен тексеріңіз.
- Эластикалық тығыздандырғыш сақинаны жылы сабынды суда жуыңыз, мұқият шайыңыз және кептіріңіз.

Ескертпе: Сақтандырғыш қақпақшасын ерекше мұқият тазалау қажет, себебі ластанулардың бар болуы оның шектетілуіне алып келуі мүмкін, ал бұл Сақтандырғыш қақпақшаның даярлану кезінде аспап ішіндегі қысымды тұрақтандыруға кедергі келтіруі мүмкін.

- Сақтандырғыш қақпақшаның негізін тазалау үшін щетканы қолдану ұсынылады.
- Важно!** Сіздің және Сізді қоршағандардың қауіпсіздігі үшін электр аспаптың сумен байланысқа түсуінің қауіпті екендігін есте сақтаңыз! Өртке, электр тогымен ұрылуға немесе жарақаттанбау үшін Алынбалы желілік сымның, шанышқының және жылдам қайнату-ыстау аспабының негізі сумен немесе өзге сұйықтықпен жанаспауын қадағалаңыз!!! Аспап корпусын суда жууға немесе ыдыс жуатын машинаға салуға үзілді-кесілді тыйым салынады!!!

• Жоңқаларға арналған тостағанды шешіп алу үшін оның суық екендігіне көз жеткізіңіз.

• Лақтырмас бұрын күйдірілген жоңқаны сулап алыңыз.

НАЗАР АУДАРЫҢЫЗ! Лақтырмас бұрын барлық көмірлердің сөндірілгендігіне көз жеткізіңіз, олар өрт туғызатын жалындауға алып келуі мүмкін.

• Жоңқаларды күйдіруге арналған тостағанды және осындай тостағанға арналған қақпақтан майдың қалдығын кетіру үшін қырғыш құралдармен тазалаңыз. Жуыңыз және кептіріңіз.

Майдан құтылудың қарапайым тәсілі – оны полиэтилен қалтасына тастап, жауып тастау.

НАЗАР АУДАРЫҢЫЗ! Лақтырмас бұрын майдың суығандығына көз жеткізіңіз. Майды суағарға құймаңыз, ол оны бітеп тастауы мүмкін.

- Ыстауға арналған тостағанды ыстық сабынды суда мұқият жуыңыз. Құрғақ таза ас үй орамалымен сүртіңіз. Қырғыш тазалағыш құралдарды қолданбаңыз, олар керамикалық күюге қарсы жабынды бүлдіреді.
- Жылдам қайнату-ыстау аспабының сыртқы жақтарын ылғал ас үй орамалымен тазалаңыз. Аспаптың сыртқы жағында жылыту элементімен электр жалғастыруын көресіз, ол құрғақ күйінде қалуы тиіс.

Аспаптың сыртқы бөлігін тазалау

- Тазалауды бастамас бұрын розеткадан сымды суырыңыз.
- Аспаптың ішкі беткейін таза ас үй орамалымен немесе қағаз орамалмен тазалаңыз.

НАЗАР АУДАРЫҢЫЗ! Аспапты суға салмаңыз және оған су құймаңыз.

- Қақпақтың ішкі жағынан тығыздандырғыш силикон сақинаны шешіп алыңыз және оны жылы сабынды суда жуыңыз, кептіріңіз.
- Қақпақтың ішкі жағын таза ылғалды ас үй орамалымен сүртіңіз.
- Тығыздандырғыш силикон сақинаны кері қақпақтың ішкі жағына орналастырыңыз.
- аспаптың жоғары сол жақ бөлігінде тұтқа үстінде конденсатты жинауға арналған контейнер орнатылған. Ол барлық артық ылғалды жинап алу үшін қолданылады. Контейнерді шешіп алыңыз, сабынды жылы сумен жуыңыз және кептіріңіз.

НАЗАР АУДАРЫҢЫЗ! Ыстауға арналған тостағанды кері орнатпас бұрын ыстауға арналған тостағандағы қызыл бағыттың аспап корпусының жоғары бөлігіндегі сыртқы жағынан қызыл бағытпен сыйысатындығына көз жеткізіңіз.

- Ішкі жақта орналасқан қақпақтың металл бөлігін жуыңыз.

ПАЙДАЛАНУ ҮРДСІНДЕ ТУАТЫН МӘСЕЛЕЛЕР ЖӘНЕ ОЛАРДЫҢ ПАЙДА БОЛУЫНЫҢ МҮМКІН СЕБЕПТЕРІ

NO.	Мәселе	Мүмкін себептері	Мәселелерді жою мүмкіндіктері
-----	--------	------------------	-------------------------------

1	Қақпағы дұрыс жабылмайды	Тығыздалған сақина қақпақта дұрыстап анықталмаған	Тығыздалған сақинаны анықтау
2	Қақпағы дұрыс ашылмайды	Ішінде тым жоғары қысым бар	Қысымды төмендету Реттегішін оң жаққа немесе сол жаққа айналдыра отырып қысымды төмендетіңіз
3	Дайындау кезінде көп бу бөлінеді	Қақпақта тығыздалған сақина жоқ	тығыздалған сақинаны қойыңыз
		тығыздалған сақинада ластану бар	тығыздалған сақина тазартыңыз
		тығыздалған сақина зақымдалған	тығыздалған сақина UNIT сервистік орталығында ауыстырыңыз (кепілдік жағдай болып табылмайды)
		Қақпақ дұрыс анықталмаған	Қақпақты қажетті түрде анықтаңыз («Аспапты пайдалану» тарауын қараңыз)
4	Басқару панелі жанбай тұр	Аспап желіге қосылмаған	Проверьте исправность розетки, шнура, вилки
		Басқа да кемшіліктер	UNIT сервистік орталығына жүгініңіз
5	Дисплейде E1 қателесу коды белгісі	Сенсорлық датчиктің электр сызбасы өшірулі	UNIT сервистік орталығына жүгініңіз
	Дисплейде E2 қателесу коды белгісі	Сенсорлық датчиктің матасуы	
	Дисплейде E3 қателесу коды белгісі	Аспап қызып кеткен	
	Дисплейде E4 қателесу коды белгісі	Өшірудің блоктау дабылы	

НЕГІЗГІ ТЕХНИКАЛЫҚ СИПАТТАМАЛАР

Моделі	Қоректендіру кернеуі	Номиналды қуаты	Көлемі	Диаметрі	Жұмыстық қысымы
USP-1200S	220-240В, 50 Гц	1100 Вт	6 л	22 см	0-70 кПа

Ең жоғарғы қысымы	Қайнату температурасы	Кейінге қалдырылған старттың мүмкін уақыты	Қысыммен дайындаудағы мүмкін уақыты	Жылуды сақтау қызметінің мүмкін ұзақтығы	Аспаптың қызмет ету мерзімі
90 кПа	70-80 °C	0-24 ч	120 мин.	0-24 с	20000 циклдей, бірақ аспапты сатып алғаннан кейінгі 5 жылдан артық емес

Дайындаушы: «ЮНИТ Хандельс ГмбХ»
Австрия, Вена, А-1180, Герстхофер штрассе, 131

Экспорттаушы: «ЮНИТ Электроникс (ГК) Лимитед»
3905 Площадь Ту Эксчейндж, Коннут Плейс 8,
Орталық, Гонконг

ҚХР өндірілген

Құралды сақтауды және пайдалануды ауада агрессивті қоспалар болмаған кезде, 80% аспайтын салыстырмалы ылғалдылықта, +5°C төмен емес температурада, құрғақ от жағылатын тұрғынжайларда жүргізу.
Тасымалдаған және сақтаған кезде, механикалық және өзге зиянды әсерлерден қорғау.

Құралды жөндеуді және қалыпқа келтіруді кепілдік түбіртегіне сәйкес, арнайы мамандандырылған шеберханаларда жүргізген жөн.

Өндіруші өз өнімін жетілдіру үшін, үнемі жұмыс жасайтындықтан, дизайн және техникалық сипаттамалары алдын ала ескертусіз өзгертілуі мүмкін.

Тауар сертификатталған.

Рецепты для скороварки USP-1200S

Рыбный пирог Ингредиенты:

Сметана - 1/2 стакана
Молок - 1/2 стакана
Яйца — 3 шт.
Сода - 1/3 ч.л.
Соль - 1/2 ч.л.
Рыба (например, семга) — 50 г.
Мука
Лук репчатый
Зелень



Способ приготовления:

1. Смешать все ингредиенты, кроме рыбы, лука и зелени.
2. Чашу смазать маслом. Налить 1/2 часть теста, сверху выложить, нарезанную тонкими ломтиками, семгу, лук и зелень.
3. Затем добавить оставшуюся часть теста. Поставить пирог на режим «Мульти-режим».

Ванильный бисквит: Ингредиенты:

Яйца — 4 шт.
Сахар -1 стакан
Мука — 1 стакан
Разрыхлитель- ч.л.
Растительное масло — 3 ст.л.
Кипяток — 3 ст.л.
Ванилин



Способ приготовления:

1. Взбить яйца с сахаром.
2. В отдельной миске смешать муку с разрыхлителем и перемешать с яичной смесью миксером.
3. Добавить воду, растительное масло и ванилин, перемешать. Установить режим «Мульти-режим».
4. Украшение по желанию. Крем можно сделать из взбитых сливок и йогурта.

Творожный бисквит Ингредиенты:

Мука — 200 г
Творог — 200 г
Яйца — 2 шт
Сахар — 200 г
Сливочное масло — 100 г
Сливочное масло — 1/3 ч. л.
Разрыхлитель — 1 ч. л.
Ванильный сахар — 1 пакетик
Соль



Способ приготовления:

1. Масло и сахар взбивать миксером на средней скорости до получения пышной массы

- 2.Добавить творог, взбить до однородной массы.
- 3.Добавить яйца, соду, разрыхлитель, ванильный сахар, соль и перемешать.
- 4.Замесить тесто. Установить режим «Мульти-режим»
- 5.Готовый бисквит можно разделить на несколько частей и помазать, например, вареньем.

Шоколадный чизкейк

Ингредиенты:

Сливочное масло - 100г
 Печенье "Топленое молоко" - 200г
 Сахар- 1/4 стакана
 Сливочный сыр - 750г
 Сгущенное молоко -400г
 Горький шоколад - 300г
 Яйцо- 4 шт.
 Экстракт ванили - 2 ч. ложки



Способ приготовления:

- 1.Смешать растопленное масло,измельченное в крошку печенье и сахар. Распределить тонким слоем по смазанной маслом скороварке, сформировать бортики,около 5 см в высоту.
- 2.Взбить сливочный сыр в пышную массу. Постепенно наливать сгущенное молоко, довести до однородного состояния. Затем вмешать яйца, натертый на терке шоколад, ваниль.
- 3.Полить сырной массой корж. Установить режим "Мульти-режим".
- 4.После окончания процесса приготовления, не открывать 30 мин. Затем остудить до комнатной температуры. Аккуратно извлечь из скороварки. Поставить охлаждаться.

Яблочный десерт с орехово-овсяной крошкой

Ингредиенты:

Яблоки - 4 шт.
 Лимон - половина
 Жидкий мед - 2 ст.л.
 Овсяных хлопья - 1 стакан
 Сахар - 1/2 стакана
 Мука - 1/2 стакана
 Корицы - 1/2 ч.л.
 Молотый мускатный орех - 1/4 ч.л.
 Сливочное масло- 100 г
 Жареные грецкие орехи



Способ приготовления:

- 1.Яблоки почистить от кожуры, порезать дольками. Лимон перемолоть в блендере, смешать с яблоками. Добавить в полученную смесь две столовые ложки меда.
- 2.Орехи обжаривать в течение 3 минут, все время размешивая.
- 3.В большую посуду высыпать муку, сахар, овсяные хлопья. Туда же выложить кусочки масла. Покрошить овсяные хлопья и грецкий орех. Перемешать крошку с маслом..
- 4.Перемешать овсяные хлопья, орехи, корицу и мускатный орех.
- 5.Помазать дно и стенки чаши скороварки сливочным маслом. Засыпать на дно примерно 3/4 всей крошки грецкого ореха. Выложить яблоки.
- 6.Посыпать верхний слой оставшейся крошкой. Поставить на режим «Мульти-режим». Не вынимать до полного остывания. Готовый пирог можно помазать медом.

Творожная запеканка

Ингредиенты:

Творог протертый - 900 г
 Сливочное масло - 180 г
 Сахар - 150 г
 Сметана - 200 г
 Яйца - 8 шт.
 Мука - 100 г
 Ванильный сахар - 4 ч. л.
 Изюм - 80 г
 Апельсиновая цедра - 1 ст. л.
 Разрыхлитель - 1 ч. л.
 Сливочное масло
 Панировочные сухари
 Сахарная пудра



Способ приготовления:

- 1.Яйца разделить на желтки и белки. Смешать миксером размягченное сливочное масло с сахаром, яичными желтками, ванильным сахаром, добавить сметану, муку с разрыхлителем. Хорошо перемешать.
- 2.Добавить протертый творог, изюм и цедру. Перемешать. Белки взбить и осторожно вмешать в массу.
- 3.Чашу смазать растопленным сливочным маслом. Посыпать панировочными сухарями. Выложить творожное тесто.
- 4.Установить программу "Мульти-режим".
- 5.Готовую запеканку посыпать сахарной пудрой.

Китайский бисквит

Ингредиенты:

Яйца — 3-5 шт.
 Мука - 80-150 г
 Молоко — 50-60 мл
 Разрыхлитель — 1/2 ч. ложки
 Растительное масло — 1 ч. ложка
 Сахар — 70-80 г



Способ приготовления:

- 1.Взбейте белок и сахар, добавьте немного соли, добавьте молоко и взбейте до появления пеники.
- 2.В отдельной чаше смешайте желтки и муку, добавьте немного растительного масла и разрыхлитель.
- 3.Соедините все вместе и аккуратно перемешайте. Следите, чтобы не было комочков.
- 4.Влейте тесто в Чашу и оставьте на некоторое время, чтобы «поднялось».
- 5.Поместить Чашу в скороварку и установить программу «Мульти-режим».

Шоколадно — вишневый пирог**Ингредиенты:**

Мargarин — 200 г
 Яйца — 3 шт.
 Сахар — 1 ст.
 Какао — 3 ст. л.
 Мак — 3 ст. л.
 Мука — 6 ст. л.
 Ванильный сахар — 0,5 ч. л.
 Разрыхлитель — 1 ч. л.
 Вишня — 30-50 шт.

**Способ приготовления:**

1. Смешать сахар и какао с растопленным маргарином, добавить мак и ванильный сахар.
2. Просеять муку с разрыхлителем и добавить взбитые яйца. Тесто должно получиться жидким.
3. Положить на дно чаши квадратик бумаги для выпечки, смазать его маслом или маргарином.
4. Вылить тесто, сверху положить вишню. Нажать кнопку приготовления выпечки: «Мульти-режим»
5. Готовый пирог можно помазать заварным кремом.

Пражский торт**Ингредиенты:**

Яйца — 2 шт.
 Сахар — 1 стакан
 Какао — 3-4 ст. л.
 Сметана — 1 стакан
 Сгущенное молоко — 0,5 банки
 Разрыхлитель — 1 ч. л.
 Мука — 1,5 стакана
 Сыр Маскарпоне — 1 упаковка

**Способ приготовления:**

1. Взбить яйца с сахаром. Добавить сметану и сгущенку, взбить.
2. Отдельно смешать муку, какао и разрыхлитель. Постепенно смешивать все вместе. Готовое тесто поставить в холодильник на 1 час.
3. Поставить выпекать, установив программу «Мульти-режим».
4. Разрезать пополам готовое изделие. Помазать коржи сыром Маскарпоне и сверху посыпать

Цыпленок «Карри»**Ингредиенты:**

Разделанная и выпотрошенная тушка цыпленка,
 Бульон - 280 мл
 Луковица - 1 шт.
 Яблоко - 1 шт.
 Порошок карри - 1 ст. л.
 Карри-паста - 1 чайная ложка
 пряностей, включая гвоздику - 1 десертная
 Лимонный сок - 1 ст. л.
 Мука - 1 ст. л.
 Маргарин - 60 г
 Соль - по вкусу

**Способ приготовления:**

1. Разделить тушку цыпленка на части и обвалять в муке. Разогреть чашу сковородки без крышки, добавить маргарин.
2. Обжарить куски цыпленка, чтобы они зарумянились. Вынуть цыпленка и слить жир. На дно чаши положить решетку.
3. На решетку положить куски цыпленка, обмазав их пастой карри и обваляв затем в порошок карри.
4. Сверху положить нарезанный кольцами или полукольцами лук, нарезанное дольками и освобожденное от сердцевинки яблоко. Добавить лимонный сок, пряности, соль и залить бульоном.
5. Закрывать крышку сковородки и поставить на огонь. После достижения нужного давления варить 15 минут.

Ингредиенты:

Зеленая фасоль - 125 г
 Морковь - 125 г
 Лук-порей - 125 г
 Репа - 125 г
 Корень сельдерея - 125 г
 Томатная паста - 2 ст. ложки
 Чеснок - 2 зубчика
 Сливочное масло - 50 г
 Тонкие макароны - 50 г
 Тертый швейцарский сыр - 50 г
 Вода - 2 литра
 Соль и перец - по вкусу

**Способ приготовления:**

1. Вскипятить воду. Очистить и мелко порезать овощи. Положить их в воду, посолить, поперчить.
2. Закрывать крышку и варить суп в течение 30 мин. Открыть крышку и подождать еще 10 мин.
3. Положить разломанные макароны и масло и кипятить еще 10 мин. Перед подачей заправить суп мелко нарезанным чесноком, томатной пастой и тертым сыром.

Томатный суп с фрикадельками.**Ингредиенты:**

Помидоры - 700 гр
 Фарш - 500 гр.
 Панировочные сухари - 3 ст. л.
 Яйцо — 1 шт.
 Рис - 1 стакан
 Луковица - 1 шт.
 Соль, перец, зелень по вкусу

**Способ приготовления:**

1. В фарш добавить панировочные сухари и яйцо, можно добавить немного сухой зелени.
2. Посолить поперчить и хорошенько перемешать. Сформировать из фарша фрикадельки.
3. Мелко нарезать луковицу или нашинковать ее в блендере.
4. В сковородку налить 1 ст. ложку подсолнечного масла. Обжаривать лук примерно 7 минут на режиме «Поджаривание». Выложить его на тарелку.
5. В чашу сковородки налить 1,5 литра воды. Установить самостоятельно время. Примерно

через 3-4 минуты вода закипит.

6. Пока закипает вода подготовить помидоры. Помыть и сделать крестообразный надрез. Залить помидоры кипятком, чтобы легко снять с них шкурку.

7. В воду добавить промытый рис и фрикадельки. Закрывать крышку сковородки и продолжить варить.

8. В блендере измельчить очищенные помидоры. Примерно через 15 минут открыть сковородку и добавить измельченные помидоры, лук, посолить и поперчить. Закрывать крышку и варить еще 10 минут.

Тефтели с сырной начинкой

Ингредиенты:

Мясной фарш - 800 г
 Луковица — 1 шт.
 Сметана
 Яйцо - 1 шт.
 Сыр моцарелла
 Соль и специи по вкусу



Способ приготовления:

1. Лук обжарить до золотистого цвета на режиме «Поджаривание».
2. В фарш добавить яйцо, соль, специи и перемешать.
3. Несколько небольших кубиков сыра положить в каждый раскатанный кусочек фарша и сформировать шарики.
4. Добавить в чашу сметану, положить тефтели, установить режим «Мульти-Режим».

Мясо по-мексикански

Ингредиенты:

Растительное масло - 2 ст.л.
 Луковица — 2 шт.
 Чеснок — 2 зубчика
 Зеленый перец чили 1 шт.
 Говяжий фарш - 500 г
 Измельченные томаты с соком - 400 г
 Порошок чили- 1,5 ч.л.
 Мука - 1,5 ч.л.
 Коричневый сахар - 1,5 ч.л.
 Томатного пюре - 4 ст.л.
 Фасоль - 400 г
 Соль, молотый черный перец по вкусу



Способ приготовления:

1. Положить в сковородку лук, чеснок и перец - чили вместе с маслом.
 2. Обжарить на режиме «Поджаривание» до размягчения лука. Добавить фарш и обжаривать до легкого коричневого цвета.
 3. В отдельной миске смешать порошок чили, муку, коричневый сахар и томатное пюре. Эту смесь вместе с томатами, фасолью, солью, перцем положить в чашу и установить программу «Мульти-режим».
- Подавать с отварным рисом или картошкой.

Курица в соусе моле поблано

Ингредиенты:

Мясо курицы

Для соуса:

Перец анчо — 5 шт.
 Перец пасила — 5 шт.
 Перец мулато — 5 шт.
 Размельченные семена гвоздики - 2 г
 Семена кориандра - 0,25 ч. л.
 Семена аниса - 0,25 ч. л.
 Семена кунжута - 0,75 чайной ложки
 Курица - 0,25 ч. л.
 Изюм — 0,5 стакана
 Миндаль - 1,5 стакана
 Кукурузная тортилья - 1
 Сырые семена тыквы - 0,25 стакана
 Помидоры - 3 шт.
 Чеснок — 3 головки
 Шоколад - 100 г
 Соль - по вкусу
 Вода - 1-2 стакана
 Масло кукурузное - 0,25 стакана



Способ приготовления:

1. Положить измельченный перец в блендер, добавьте 2 г молотой гвоздики, 5-6 горошин черного перца, семена кунжута, аниса, кориандр - на кончике ножа, половину чайной ложки молотой корицы. На решетке поджарьте головку чеснока и 4 некрупных томата, снимите кожицу и очистите чеснок, добавьте их также в блендер. Замочите в горячей воде 2 больших горсти изюма без косточек, промойте, сцедите воду и тоже добавьте в блендер. Туда же влейте 4 ст. ложки кукурузного масла, добавьте немного соли, горсть очищенных семян тыквы (не жареных), 2 горсти подсушенного миндаля, 1 кукурузную тортилью, разломанную на кусочки и полтора стакана мясного бульона. Бульон должен быть из того сорта мяса, к которому подадите соус, однако он обязательно должен быть нежирным. Взбейте смесь в блендере до однородности. Добавьте 100 г жидкого шоколада. Перемешайте как следует соус и варите 10-15 минут, помешивая.
2. Заливаем курицу соусом и устанавливаем программу «Мясо».

*Моле поблано — один из самых популярных мексиканских соусов. Соус подходит к любому мясу и даже рыбе.

Лазанья

Ингредиенты:

Листы теста для лазаньи - 500 г,
 Говядина (фарш) - 500 г,
 Шампиньоны консервированные - 200 г,
 Морковь - 2 шт.,
 Лук репчатый - 2 шт.,
 Сыр - 200 г,
 Соус грибной - по вкусу



Способ приготовления:

1. Очистить и порезать лук.

2. Почистить и потереть на терке морковь.
3. Мелко нарезать грибы.
4. Налить в скороварку масло и хорошо прогреть его. Поджарить лук, морковь и грибы.
5. Обжаренные продукты перемешать с фаршем.
6. Развести соус небольшим количеством кипяченой воды.
7. Положить лист для лазаньи, затем фарш и соус, повторять слои до необходимого количества (обычно 3-4 слоя).
- 8.Сверху посыпать сыром, натертым на крупной терке(по желанию сыр можно положить между каждым слоем).

Фриттата**Ингредиенты:**

Картофель — 500 г
 Помидоры — 250 г
 Болгарский перец — 1 шт.
 Яйца — 6 шт.
 Молоко — 1 ст.
 Сыр — 75 г
 Творожный сыр — 120 г
 Петрушка — 1 ч. л.
 Укроп — 1 ч. л.
 Щепотка мускатного ореха
 Соль, перец — по вкусу
 Растительное масло

**Способ приготовления:**

- 1.Смазать чашу растительным маслом
2. Отварить картошку, порезать ее соломкой.
3. Слоями выложить картошку, помидоры, перец
4. Смешивать молоко, натертый сыр и творожный сыр.
5. Взбиваем яйца и добавляем молочно-сырную смесь. Вылить в чашу. Посыпать солью, зеленью и перцем. Установить режим «Мульти-режим».

Ризотто**Ингредиенты:**

Длиннозерновой рис - 2 стакана
 Оливковое масло - 500 мл.
 Лук репчатый - 1 шт.
 Ветчина - 100 гр.
 Грибы- 100 гр.
 Куриный бульон - 400 мл.
 Томатный соус пассат
 Пармезан
 Соль, перец — по вкусу

**Способ приготовления:**

- 1.Промыть рис, порезать ветчину и грибы. Налить оливковое масло в чашу скороварки, положить ветчину, лук, грибы и рис.
- 2.Добавить куриный бульон и хорошо перемешайте, положите приправы. Установить режим «Мульти-Режим»
3. После окончания процесса приготовления посыпать ризотто сыром Пармезан и полить томатным соусом.

Рис с морепродуктами по-итальянски**Ингредиенты:**

Морепродукты — 200 г
 Рис — 1 чашка
 Дыня — 1-2 ломтика
 Помидоры — 1-2 шт.
 Лук — 1 шт.
 Чеснок — по вкусу
 Сыр — 50 г
 Сливочное масло — 20 г
 Соль, перец — по вкусу

**Способ приготовления:**

- 1.Положить промытый рис в чашу, добавить воду, закрыть прибор крышкой.
- Нажать кнопку приготовления риса: «Рис».
- 2.Открыть крышку после окончания процесса приготовления, извлечь рис из чаши и дать ему остыть.
- 3.Измельчить морепродукты, дыню, помидоры, лук.
- 4.Очистить чашу от остатков риса, и установить ее в скороварку.
- 5.Добавить в чашу немного масла и обжарить в масле измельченный лук. Добавить морепродукты, дыню, помидоры и обжарить их в масле вместе с луком.
- 6.Накрыть прибор крышкой и тушить все продукты в течение 5 минут. Добавить перец, соль, толченый чеснок.
- 5.Выложить готовое блюдо на тарелку, украсить зеленью.

Картошка с мясом**Ингредиенты**

Телятина — 500 г
 Картофель — 500 г
 Редис — 50 г
 Имбирь — 10 г
 Лук — 20 г
 Свиной жир — 20 г
 Соль — 15 г
 Вода — 100 г
 Вино — 20 г

**Способ приготовления:**

1. Порезать телятину на куски. Очистить и порезать на кусочки картофель, имбирь, редис. Мелко порезать лук.
2. Положить порезанные овощи и мясо в чашу, добавить свиной жир, соль, вино и воду. Перемешать.
3. Закрывать прибор крышкой и установить режим «Бобовые».
4. Выложить готовое блюдо на тарелку, украсьте зеленью.

Говядина по-бургундски**Ингредиенты:**

Говядина - 1 кг
Мука - 4 ст. л.
Соль — 1 ч. л.
Молотый черный перец - 1/2 ч.л.
50 г сливочного масла
Луковица — 1 шт.
Морковь — 2 шт.
Чеснок — 1 зубчик
Вино — 2 стакана
Лавровый лист — 1 шт.
Сушеный тимьян - 1/2 ч. л.
Консервированные грибы — 1 банка

**Способ приготовления:**

1. Смешать муку, соль и молотый черный перец. Обвалять в этой смеси кубики говядины.
2. Поджарить кусочки говядины на сливочном масле, установив программу «Поджаривание».
3. Добавить в чашу нарезанный лук, морковь и чеснок. Поджаривать все вместе в течение 5 минут.
4. Добавить вино, лавровый лист, тимьян и жидкость от грибов. Довести до кипения.
5. Установить «Мульти-Режим».

Фрикасе из курицы с грибами**Ингредиенты:**

Сливки (10%) - 200г
Куриное филе — 250 г
Грибы — 200 г
Лук репчатый — 1 шт.
Мука — 1 ст.л.
Масло растительное — 2 ст. л.
Соль, перец, приправы — по вкусу
Перец чили — 1/4 ч. л.
Чеснок — 1 зубчик

**Способ приготовления:**

1. Филе промыть, осушить, нарезать кусочками и обжарить на смеси растительного и сливочного масел с двух сторон.
2. Добавить в чашу скороварки, полукольцами нарезанный лук и тушить вместе, установив программу «Мясо». Добавить порезанные грибы и тушить все вместе 5 минут. Посолить, поперчить, добавить приправу к грибам и 1 ст.л. муки. Обжарить. Добавить 1/4 ч.л. измельченного перца чили с чесноком. Залить мясо с грибами сливками и довести до кипения.

Рис с креветками**Ингредиенты**

Рис — 320 г
Креветки — 250 г
Лук — 1 шт.
Чеснок — 2 зубчика
Оливковое масло — 2 ст. л.
Соль, перец — по вкусу

**Способ приготовления:**

1. Положить промытый рис в чашу, добавить воду, закрыть прибор крышкой.
- Нажать кнопку приготовления риса: «Рис».
2. Измельчить лук и чеснок.
3. После приготовления риса промыть Внутреннюю чашу и установить ее обратно в скороварку. Добавить немного оливкового масла, положить креветки, лук, чеснок и обжарить, не накрывая крышкой.
4. После этого добавить готовый рис, приправы (по вкусу), закрыть Крышку и установить режим «Рис», затем увеличить время еще на 3 минуты.
5. Готовое блюдо украсить имбирем и луком.

Кальмары по-испански**Ингредиенты:**

Кальмары - 1 кг
Чеснок — 4 зубчика
Молотая паприка — 1,5 ч. л.
Цедра апельсина — 2 ч. л.
Апельсиновый сок — 4 ст. л.
Красный винный уксус — 1 ст. л.
Коричневый сахар — 2 ст. л.
Перец чили — 1 шт.
Соль
Оливковое масло
Пучок кинзы и петрушки

**Способ приготовления:**

1. Кальмары очистить от кожицы и нарезать полосочками шириной около 2 см.
2. В миске смешать цедру апельсина, паприку, соль, апельсиновый сок, мелко нарубленный чеснок, винный уксус, коричневый сахар, соль и оливковое масло. И замариновать в получившемся соусе кальмары на 3 часа.
3. Кальмары вынуть из соуса и отжать. Обжаривать кальмары в течение 3 минут на режиме «Поджаривание». Переложить в миску. В эту же скороварку вылить соус и варить его в течение 2-3 минут.
4. В соус добавить мелко нарезанные листья кинзы и петрушки, и положить в соус кальмары.

Курица по-домашнему**Ингредиенты**

Курица — 1 кг
Сливочное масло — 30 г
Сметана — 125 г
Яйца - 2 шт.
Соль, перец — по вкусу

**Способ приготовления:**

1. Разрезать курицу на четыре части. Обжарить в скороварке на масле, посолить и поперчить.
2. Закрывать крышку и нажать кнопку «Мясо» и установить время - 15 минут.
3. Хорошо взбить яйца, смешать их со сметаной, влить смесь, перемешать, закрыть крышку примерно на 5 минут .
4. Выложить курицу и полить соусом.

Летний салат**Ингредиенты:**

Рис – 250 г
 Вода или бульон – 1 литр
 Горчица – 1 ст. л.
 Уксус – 1 ст. л.
 Подсолнечное (оливковое или кукурузное)
 Масло – 3 ст. л.
 Помидоры – 2 шт.
 Сваренные вкрутую яйца – 2 шт.
 Луковица – 1 шт.
 Зелень, соль, перец – по вкусу

**Способ приготовления:**

- 1.Сварить в скороварке рис, выбрав программу «Рис», остудить его.
- 2.Порезать помидоры, яйца, лук. Перемешать порезанные ингредиенты с рисом.
- 3.Приготовьте соус из смеси горчицы, уксуса, растительного масла, соли, перца. Приготовленным соусом полить салат.
- 4.Посыпать готовое блюдо зеленью.

Салат по-аргентински**Ингредиенты**

Сваренные вкрутую яйца – 2 шт.
 Морковь – 250 г
 Зеленая фасоль – 250 г
 Зеленый горошек 250 г
 Картофель – 250 г
 Соль – по вкусу
 Майонез – 1 банка

**Способ приготовления:**

- 1.Положить овощи в дуршлаг, нарезать предварительно морковь и картофель.
- 2.Налить в чашу немного воды. Посолить. Установить в чаше решетку, положить на нее овощи. Вскипятить воду.
- 3.Закрывать крышку и выбрать программу «Пароварка».

Пюре из тыквы**Ингредиенты:**

Тыква – 1 кг
 Картофель – 3-4 шт.
 Сливочное масло – 50 гр.
 Яйца – 2 шт.
 Молоко – 2 стакана
 Соль, перец - по вкусу

**Способ приготовления:**

- 1.Очистить тыкву и картофель.
- 2.Нарезать на кусочки, положить в чашу и залить молоком, посолить и поперчить.
- 3.Закрывать крышку и тушить 10 минут на программе «Мульти-Режим».
- 4.Растереть овощи в пюре и смешать с маслом и взбитыми яйцами.

Запеченная цветная капуста**Ингредиенты:**

Кочан цветной капусты
 Луковица – 1 шт.
 Яйцо – 1 шт.
 Сметана – 4 ст. л.
 Сыр – 150 г
 Соль, перец – по вкусу
 Растительное масло – 2 ст.л.

**Способ приготовления:**

- 1.Капусту разделить на соцветия и отварить в подсоленной воде в течение 3-5 минут.
- 2.Мелко порезать лук. Налить в чашу скороварки растительное масло, положить лук и немножко обжарить, добавить капусту. Перемешать сметану с яйцом.
- 3.Залить этой смесью капусту. Сыр натереть на терке и посыпать капусту. Установить режим «Мульти-режим».

Сырный пирог с грибами**Ингредиенты:**

Мука – 150 г
 Яйца – 3 шт.
 Разрыхлитель – 1 ст. л.
 Топленое молоко – 125 мл
 Растительное масло – 50 мл
 Тертый сыр – 200 г
 Шампиньоны – 300 г
 Соль, перец – по вкусу

**Способ приготовления:**

1. Муку смешать с разрыхлителем, взбить яйца венчиком.
2. Добавить масло, молоко, сыр, соль, перец.
3. Порезать крупными кубиками и поджарить шампиньоны, добавить порезанный зубчик чеснока, зелень. После остывания добавить с тестом.
4. Положить полученную смесь в скороварку, включить программу «Мульти-режим».

Летний салат**Ингредиенты:**

Рис – 250 г
 Вода или бульон – 1 литр
 Горчица – 1 ст. л.
 Уксус – 1 ст. л.
 Подсолнечное (оливковое или кукурузное)
 Масло – 3 ст. л.
 Помидоры – 2 шт.
 Сваренные вкрутую яйца – 2 шт.
 Луковица – 1 шт.
 Зелень, соль, перец – по вкусу

**Способ приготовления:**

- 1.Сварить в скороварке рис, выбрав программу «Рис», остудить его.
- 2.Порезать помидоры, яйца, лук. Перемешать порезанные ингредиенты с рисом.
- 3.Приготовьте соус из смеси горчицы, уксуса, растительного масла, соли, перца. Приготовленным соусом полить салат.

4.Посыпать готовое блюдо зеленью.

Салат по-аргентински

Ингредиенты

Сваренные вкрутую яйца — 2 шт.
 Морковь — 250 г
 Зеленая фасоль — 250 г
 Зеленый горошек 250 г
 Картофель — 250 г
 Соль — по вкусу
 Майонез — 1 банка



Способ приготовления:

- 1.Положить овощи в дуршлаг, нарезать предварительно морковь и картофель.
- 2.Налить в чашу немного воды. Посолить. Установить в чаше решетку, положить на нее овощи. Вскипятить воду.
- 3.Закрывать крышку и выбрать программу «Пароварка».

Гуляш по-венгерски

Ингредиенты:

Говяжье рагу - 700 г
 Сырая грудинка - 150 г
 Лук - 500 г
 Сливочное масло - 30 г
 Красный молотый перец - 1 или 2 кофейные ложки
 Сметана - 1 чашка
 Картофель - 1 кг
 Соль - по вкусу



Способ приготовления:

- 1.Нарезать мясо и грудинку на кусочки. Мелко нарезать лук.
- 2.Растопить масло в скороварке. Положить в нее мясо и лук, посолить, посыпать красным перцем. Влить немного воды. Закрывать крышку и нажать кнопку приготовления мяса: «Мясо»
- 3.Открыть скороварку, положить сверху решетку. На решетку положить очищенный картофель. Закрывать и тушить еще 10 мин. Подавать блюдо можно полив сметаной.

Жареное мясо

Ингредиенты:

Кусок говядины, баранины, свинины или телятины
 Кулинарный жир или маргарин - 2 ст. л.
 Соль - по вкусу
 Приправы - по вкусу



Способ приготовления:

- 1.Положить на дно чаши пищевой жир и дождаться, когда он растает.
- 2.Положить мясо и тщательно обжарить его со всех сторон, чтобы оно зарумянилось. Добавить приправу по вкусу.

3.Вынуть мясо, слить жир. На дно чаши положить решетку и разместить на ней мясо.

4.Добавить 250—300 г воды, в зависимости от объема чаши. Вода должна лишь немного прикрывать решетку. Добавить приправы и соль. Закрывать крышку. Нажать кнопку приготовления мяса: «Мясо»

6.Выпустить из скороварки пар. Дать ей остыть до падения давления.

Курица в кунжуте

Ингредиенты:

Курица — 1 кг,
 Кунжутные семечки — 1/2 стакана,
 Мед — 2 ст.л.,
 Свежевыжатый лимонный сок - 1 ч.л.,
 Соевый соус - 7 ст.л.,
 Красный молотый перец - 2 ст.л.,
 Мука - 1 ст.л.,
 Яйцо — 1 шт.,
 Растительное масло для жарки и соль по вкусу.



Способ приготовления:

- 1.Курицу нарезать на порционные куски.
- 2.Смешать красный перец, соевый соус, мед и лимонный сок. Замариновать в этой смеси курицу на 3-5 часов. Затем маринад слить. Куриные кусочки положить в дуршлаг и дать стечь лишнему маринаду.
- 3.Яйцо взбить. Куриные кусочки обвалить в муке, затем в яйце и в кунжуте.
4. Установить программу «Мясо».

Суп итальянский Тушеная капуста

Ингредиенты:

Кочан капусты - 1 кг
 Копченой грудинки - 100 гр
 Морковь - 1 шт.
 Луковица - 1 шт.
 Вода - 1 стакан
 Соль и перец - по вкусу



Способ приготовления:

- 1.Очистить кочан от верхних листьев. Вскипятить в скороварке воду и опустить в нее кочан капусты. Закрывать крышку и варить еще 5 мин.
- 2.Переложить капусту на дуршлаг. В пустую чашу положить нарезанные грудинку, морковь, лук, капусту и зелень.
- 3.Посолить, поперчить, залить водой и тушить в течение 45 мин.

Паэлья**Ингредиенты:**

Филе грудки цыпленка – 1 шт.
 Кальмар – 1 шт.
 Креветки
 Рис – 1 ст.
 Болгарский перец
 Замороженный зеленый горошек – 90 гр.
 Лук репчатый – 1 шт.
 Вода – 2 ст.
 Масло оливковое
 Соль, перец, специи – по вкусу

**Способ приготовления:**

1. Порезать курицу на кусочки, посолить, посыпать специями и обжаривать на оливковом масле в течение 20 мин.
2. Обжарить лук.
3. К курице и луку положить: рис, болгарский перец, зеленый горошек. Налить воду, добавить 1 ч. л. соли и поперчить.
4. Ошпарить кипятком тушку кальмара, затем опустить ее в холодную воду, снять пленку и убрать хрящ. Очистить креветки.
5. За пять минут до окончания забросить в чашу кусочки нарезанного кальмара и креветки.
6. Закрыть крышку, дождаться полного приготовления.

Горох со свиными ребрышками**Ингредиенты:**

Горох-400 г
 Свиные ребра – 500 г
 Морковь – 1 шт.
 Репчатый лук - - 1 штука
 Бульон – 500 мл

**Способ приготовления:**

1. Довести горох до полуготовности (20 мин.) время можно настроить самостоятельно.
2. Переложить горох в дуршлаг, а в чаше обжарить лук в режиме «Поджаривание».
3. Положить в чашу свиные ребрышки, налить бульон, выложить горох и нажать кнопку приготовления мяса: «Мясо»
4. Залить блюдо бульоном и готовить 15 минут.

Картофель с грибами в сметанном соусе**Ингредиенты:**

Замороженные грибы -300-400 г
 Картофель - 10 шт.
 Сметана-200 г
 Луковица – 1 шт.
 Соль – по вкусу

**Способ приготовления:**

1. Обжарить лук в течение нескольких минут на режиме «Поджаривание».
2. Загрузить в чашу скороварки размороженные грибы, добавить воду, нарезанный кубиками картофель и сметану. Посолить и перемешать. Установить режим «Мульти-Режим».

Запеканка по-французски**Ингредиенты:**

Картофель - 700г
 Фарш говядина - 500-800г
 Сыр - 150г
 Лук репчатый - 3 шт.
 Масло подсолнечное - 2ст. л.
 соль,перец - по вкусу.
 Для соуса:
 Молоко - 1 стакан;
 Майонез - 50-70г;
 Яйцо - 1шт.;
 Сметана - 3-4 ст. л.

**Способ приготовления:**

1. Смазать поверхность чаши подсолнечным маслом .
2. Почистить картофель, лук и порезать тонкими кружками. Сыр потереть на терке.
3. Выложить на дно чаши часть нарезанного картофеля. Посыпать солью.
4. Вторым слоем выложить часть фарша, посолить и поперчить. Посыпать натертым сыром.
5. Выложить слой лука.
6. Повторить все четыре слоя.
6. Тщательно смешать компоненты для соуса (молоко, яйцо, сметану) и полить блюдо.

Рецепт семги в соусе**Ингредиенты:**

Грибы – 300 г
 Сливки – 10%
 Масло растительное
 Картофель – по желанию
 Семга – 4 шт.
 Лук репчатый – 1 штука

**Способ приготовления:**

1. Нарезать грибы и лук кубиками,
2. Обжарить в скороварке с добавлением растительного масла 15 минут
3. Через 10 минут добить сливки, соль, перец и специи. Хорошо перемешать. Соус перелить в отдельную тарелку.
4. В скороварку выложить нарезанный картофель и стейки семги, предварительно смазанные специями, выложить в чашу и выбрать режим «Пароварка».

Соте из баклажан**Ингредиенты:**

Баклажан -1шт
 Лук репчатый -1шт
 Морковь - 2 шт
 Чеснок - 2 зубчика
 Томатный сок – 0,2 л.
 Масло растительное - 2 ст. л.
 Соль, перец, сахар, специи по вкусу.

**Способ приготовления:**

1. Налить в чашу скороварки масло, положить порезанный брусочками баклажан и включить программу «Поджаривание».

2. Морковь потереть на крупной терке, или нарезать соломкой. Порезать лук, чеснок. Загрузить в чашу за 5 минут до отключения программы «Поджаривание». Обжаривать до сигнала.
3. Добавить томатный сок, соль, перец, сахар, другие специи по вкусу. Включить программу «Мульти-Режим».

Еврейская субботняя хала

Ингредиенты:

- Молоко — 3/4 стакана
- Дрожжи — 1,5 пачек
- Сахар — 2 ст. л.
- Соль — 2 ч.л.
- Масло сливочное — 50 г
- Яйцо — 1 шт.
- Сок лимона - 1 ч.л.
- Мука пшеничная — 3-3,5 стакана
- Кунжут
- Мак



Способ приготовления:

1. В часть теплого молока насыпать сахар и дрожжи, перемешать и оставить на 15 минут до появления шапки.
2. Отдельно смешать оставшееся молоко, лимонный сок, соль, яйцо и растопленное масло. Налить туда дрожжевую смесь. Перемешать.
3. Постепенно насыпать муку, помешивая. Положить тесто на стол и перемесить, постоянно добавляя муку. Поставить тесто в теплое место на 1,5 часа.
4. Разделить тесто на 3 равные части. Из каждой части сформировать длинные колбаски. Заплести из них тугую косичку и тщательно закрепить края. Накрыть и убрать еще на 25-35 минут.
5. Смешать молоко с яйцом и полученной смесью смазать изделия из теста. Посыпать маком или кунжутом.
6. Смазать дно и стенки чаши мультиварки растительным маслом. Переложить туда халу. (Желательно выпекать по отдельности). Установить программу «Мульти-Режим».

Паста болоньезе

Ингредиенты:

- Оливковое масло - 1 ст. л.
- Луковица - 1 шт.
- Морковь — 1 шт.
- Сельдерей — 1 стебель
- Шампиньоны - 70 г
- Говяжий фарш - 250 г
- Томатное пюре - 2 ст.л.
- Томаты - 400 г
- Чеснок — 1 зубчик
- Макаронны - 250 г (сорт перья)
- Вода - 27 мл
- Красное вино - 90 мл



Способ приготовления:

1. Налить оливковое масло, положить в чашу порезанные лук, морковь, сельдерей, грибы и мясо. Поджарить, на режиме программы «Поджаривание».
2. После обжаривания добавить томатное пюре, измельченные томаты, чеснок, приправы и вино.
3. Добавить макароны и воду. Закрыть крышку и нажать кнопку приготовления риса: «Рис».
4. Готовое блюдо посыпать тертым сыром пармезан.

Жаркое по-ирландски

Ингредиенты:

- Бараньи битки — 4 шт.
- Луковицы — 2 шт.
- Приправы — 1,5 ч. л.
- Пастернак - 1 корень
- Морковь - 550 г
- Картофель - 750 г
- Лук-порей - 2 стебля
- Овощной бульон - 150 мл



Способ приготовления:

1. Удалить излишки жира с баранины и положить в мультиварку вместе с луком.
2. Жарить мясо с луком в течение 5 минут на режиме «Без крышки».
3. Посыпать баранину специями, добавить пастернак, морковь, картофель, лук-порей и залить бульоном.
4. Закрыть крышку и выбрать программу «Мясо».

Рататуй

Ингредиенты:

- Луковицы - 2 шт.
- Баклажаны — 2 шт.
- Красный перец - 2 шт.
- Кабачки — 2 шт.
- Оливковое масло - 2 ст.л.
- Томаты - 400 г
- Тимьян - 1 веточка
- Соль, перец и зелень — по вкусу



Способ приготовления:

1. Порезать ингредиенты
2. Положить все ингредиенты в Чашу, закрыть крышку и нажать кнопку «Пароварка» или установить время самостоятельно.
3. Приготовить заправку: смешать мелко нарезанную, зелень, масло и чеснок. Полить готовые овощи заправкой.

Фаршированный перец.**Ингредиенты:**

Перец - 600-700 г
 Фарш - 350 г
 Отварной рис - 200 г
 Луковицы — 2 шт.
 Морковь — 1 шт.
 Помидор 1 шт.
 Вода или бульон — 250 мл
 Растительное масло — 3 ст.л.
 Соль, перец черный молотый по вкусу
 Укроп или петрушка по вкусу

**Способ приготовления:**

- 1.Предварительно отваренный рис перемешать с фаршем и мелко порезанной луковичей, посолить и поперчить по вкусу, добавить мелко нарезанную зелень. Добавить 50 миллилитров воды и все тщательно перемешать.
- 2.Начинку плотно уложить в перцы, предварительно очищенные от семян.
- 3.Морковь и лук очистить, морковь порезать кружочками, а лук мелко порубить.
- 4.Положить в чашу морковь и лук, добавить 2-3 столовые ложки растительного масла и в режиме «Поджаривание» обжаривать овощи в течение 5-7 минут.
- 5.Помидор ошпарить кипятком, снять кожицу, порезать кубиками и положить в чашу. Жарить все вместе 3-4 минуты.
- 6.Положить в чашу фаршированные перцы, залить горячим бульоном или подсоленной водой в объеме 250 миллилитров. Установить программу «Мульти-Режим»
- 7.Подавать фаршированные перцы со сметаной.

Фасоль с мясом**Ингредиенты:**

Красная фасоль — 1 стакан
 Мясо — 500 г
 Острый томатный соус - 1 стакан
 Уксус — 1 ч.л.
 Чеснок — 1 головка
 Луковица — 1 шт.
 Кинза, соль, специи — по вкусу
 Масло растительное

**Способ приготовления:**

- 1.Фасоль залить холодной водой на несколько часов.
- 2.Порезать мясо и лук.
- 3.Налить воду в чашу и загрузить лук с мясом, включить режим «Мясо».
- 4.Добавить фасоль, соль, специи, томатный соус, воду и включить режим «Бобовые».
- 5.Готовое блюдо заправить зеленью и чесноком.

Кабачковая запеканка**Ингредиенты:**

Кабачки — 3 шт.
 Помидоры — 2 шт.
 Луковица — 1 шт.
 Морковь — 1 шт.
 Сыр
 Соль, перец, сушеная мята,
 зелень — по вкусу

**Способ приготовления:**

- 1.Нарезать кабачки кружками и посыпать солью. Даем постоять 10 минут.
- 2.Порезать полукольцами лук, морковь и помидоры.
- 3.Смазывать дно кастрюли подсолнечным маслом, положить морковь и лук, следующим слоем положить кабачки, потом слой помидоров. Посыпаем солью, перцем и мятой.
- 4.Потереть на терке сыр и посыпать запеканку. Установить 30 минут.
- 5.Готовое блюдо украсить зеленью.

Азу**Ингредиенты**

Говядина - 500 граммов
 Огурцы маринованные - 5 штук
 Помидоры - 2 штуки
 Томатная паста - 1 столовая ложка
 Лук репчатый - 1 штука
 Морковь - 1 штука
 Свежая зелень (петрушка, укроп) - 1 пучок
 Перец красный молотый - по вкусу

**Способ приготовления:**

1. Нарезать помидоры и лук кубиками. Морковь потереть на мелкой терке. Мелко порезать зелень.
- 2.Говядину нарезаем небольшими кусочками. Обжаривать мясо на режиме «Поджаривание» в течение 20 минут, затем добавить морковь и лук. Обжаривать еще 10 минут.
- 3.Добавить нарезанные помидоры и томатную пасту, обжарить все вместе.
- 4.Посолить и поперчить блюдо.
- 5.Нарезать маринованные огурцы соломкой и добавить их в чашу с мясом. Включить программу «Мульти-Режим» на 1,5 часа.
- 6.Готовое блюдо посыпать зеленью.

Запеченный карп**Ингредиенты:**

Карп
 Сметана
 Любимые специи для рыбы
 Соль

**Способ приготовления:**

- 1.Тщательно помыть и очистить карп, помазать сметаной, посыпать солью и специями, и оставить мариноваться на 30 мин.
- 2.Уложить в чашу и поставить на режим «Рыба», после остановки программы, продлить время еще на 15 минут.

Лосось на пару**Ингредиенты:**

Лосось — 500 г
 Помидор - 1 шт
 Сыр
 Сметана - 2 ст. ложки
 Лук репчатый — 1 шт.
 Специи (соль, перец, зел. лук, базили, укроп)
 Винный уксус - 1 ч. л.

**Способ приготовления:**

1. Порезать лосось на порционные кусочки
2. Побрызгать винным уксусом, посыпать солью, перцем, луком, укропом, базиликом и втереть их в рыбу.
3. Смазать сметаной, положить сверху дольку томата и посыпать тертым сыром
4. Налить в чаши воду и установить режим «Пароварка».

Рыба по-астурийски**Ингредиенты:**

Треска — 500 г
 Вино белое — 0,5 стакана
 Лук — 1 шт.
 Масло сливочное — 80 г
 Шоколад тертый — 1 ч. л.
 Шампиньоны свежие — 6-7 шт.
 Мука — 1 ст. л.
 Гвоздика, корица, соль и перец — по вкусу

**Способ приготовления:**

1. Лук мелко порезать и обжарить в 40 г сливочного масла, установив программ «Поджаривание», высыпать муку, обжарить с луком, налить 250 мл воды, тщательно размешать, чтобы не было комков. Добавить вино, шоколад, гвоздику, корицу, соль и перец.
2. Рыбу разделить на порционные куски, положить в чашу мультиварки, залить соусом и установить программу «Рыба».
3. Грибы почистить, мелко нарезать, потушить вместе с рыбой в течение еще 7-8 минут. На гарнир рекомендуется отварной рис.

Копченый сыр Чеддер

Сыр Чеддер - 450 г

Способ приготовления:

1. Поместите сыр в холодильник на ночь, чтобы охладить его до необходимой температуры.
2. Разрежьте сыр на 4 части.
3. Установите чашу для обугливания щепы на нагревательном элементе. Насыпьте одну столовую ложку щепы и закройте крышку.
4. Поместите 2 куска сыра на один уровень решетки и 2 куска сыра на 2 уровень решетки.
5. Закройте крышку мультиварки-коптильни. Запустите режим «Холодное копчение». Установите регулятор давления в положение «Герметично».
6. Установите время — 10 минут.

**Куриные крылья**

Куриные крылья — 10-15 штук

Способ приготовления:

1. Посыпьте курицу специями.
2. Установите чашу для обугливания щепы на нагревательном элементе. Насыпьте одну столовую ложку щепы и закройте крышку.
3. Налейте 1/2 стакана воды в чашу для копчения. Поместите куриные крылья на решетках для
4. Уставите регулятор давления в положение «Герметично». Установите время 25 минут.

**Копченая курица**

Курица — не более 1 кг

Способ приготовления:

1. Посыпьте перцем и специями.
2. Установите чашу для обугливания щепы на нагревательный элемент. Насыпьте одну столовую ложку щепы. Налейте немного воды. Положите курицу на решетку для копчения и закройте ее. Установите регулятор давление в положение «герметично» . Выберите программу «Горячее копчение», установите время 45 минут.



Копченый лосось

Филе копченого лосося — не более 1 кг

Способ приготовления:

1. Разрежьте филе лосося на 4 кусочка. Посыпьте филе специями.
2. Установите чашу для обугливания щепы на нагревательный элемент. Насыпьте одну столовую ложку щепы. Налейте немного воды в чашу для копчения. Положите филе на решетку для копчения и закройте ее. Закройте крышку скороварки-коптильни. Запустите режим "Холодное копчение". Установите регулятор давления в положение «Герметично».

**Куриная грудка**

Куриная грудка - 1 кг (12 кусочков)

Способ приготовления:

1. Посыпьте курицу специями.
2. Установите чашу для обугливания щепы на нагревательном элементе. Насыпьте одну столовую ложку щепы и закройте крышку.
3. Налейте 1/2 стакана воды в чашу для копчения. Поместите куриную грудку на решетку для копчения.
4. Установите регулятор давления в положение «Герметично». Установите время 30 минут.

**Ростбиф**

Мясо для жаркое - не более 1 кг

Способ приготовления:

1. Посыпьте перцем и специями.
2. Установите чашу для обугливания щепы на нагревательный элемент. Насыпьте одну столовую ложку щепы. Налейте немного воды. Положите мясо на решетку для копчения и закройте ее. Установите регулятор давления в положение «герметично».



3. Выберите программу «Горячее копчение», установите время 50 минут.

Свинные ребра

Свинные ребра — не более 1 кг

Способ приготовления:

1. Посыпьте перцем и специями.
2. Установите чашу для обугливания щепы на нагревательный элемент. Насыпьте одну столовую ложку щепы. Налейте 200-300мл воды. Поместите свинные ребра на двух уровнях решетки и закройте крышку скороварки-коптильни. Установите регулятор давления в положение «Герметично».
3. Выберите программу «Горячее копчение», установите время 40 минут.

**Польская колбаса**

Колбаса — не более 1 кг

Способ приготовления:

1. Разрежьте колбасу на 4 части.
2. Установите чашу для обугливания щепы на нагревательном элементе. Насыпьте одну столовую ложку щепы и закройте крышку.
3. Разместите кусочки колбасы на решетках для копчения.
4. Закройте крышку скороварки-коптильни. Установите режим «Холодное копчение». Настройте время - 10 минут. Затем установите режим «Горячее копчение». Настройте время - 15 минут. (см. Инструкцию раздел «Сочетание горячего и холодного копчения»).

**Копченый картофель**

Картофель — 3-4 шт. среднего размера

Способ приготовления:

1. Почистить картофель.
2. Установите чашу для обугливания щепы на нагревательном элементе. Насыпьте одну столовую ложку щепы и закройте крышку.
3. Налейте 1/2 стакана воды в чашу коптильни. Разместите картофель на решетках для копчения.
4. Установите регулятор давления в положение «Герметично». Установите программу «Горячее копчение». Установите время 40 минут.

